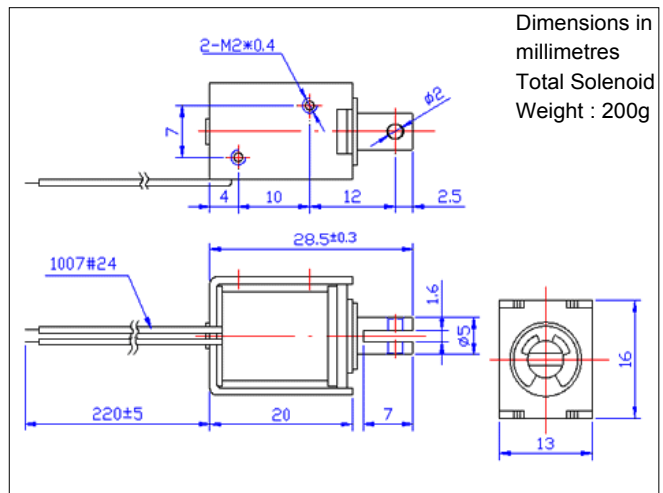
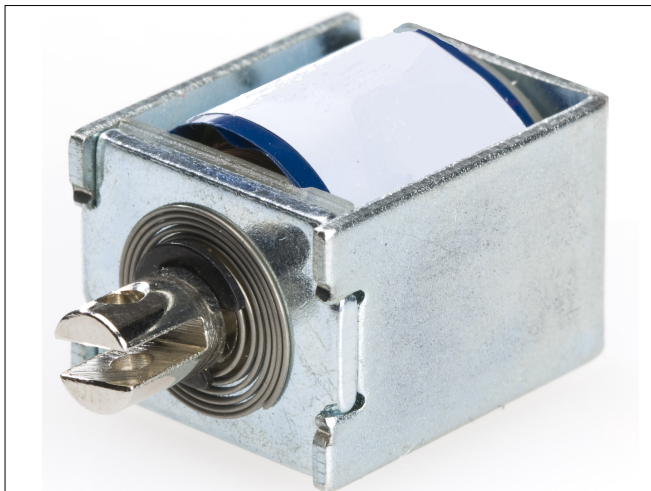


Datasheet

RS Article: 177 - 0137

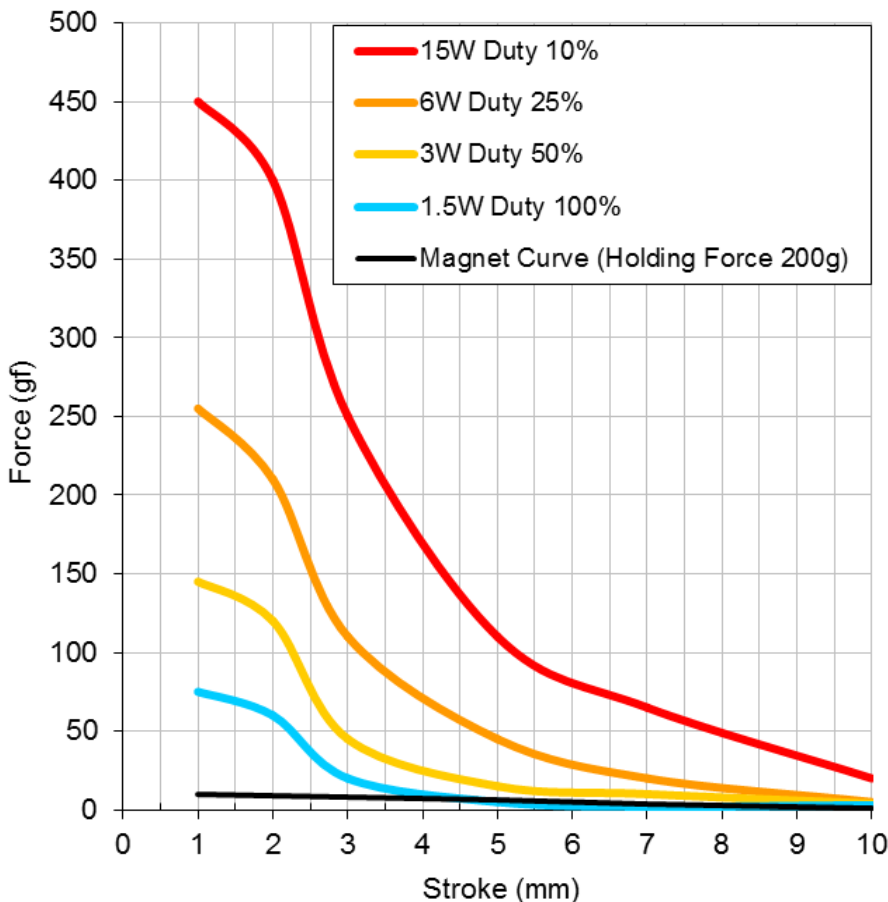
Latching Solenoid 6V



Specifications:

Features:

Force/Stroke Characteristics



- Pull type
- Flying leads
- Corrosion resistant plated parts
- Complete with spring