

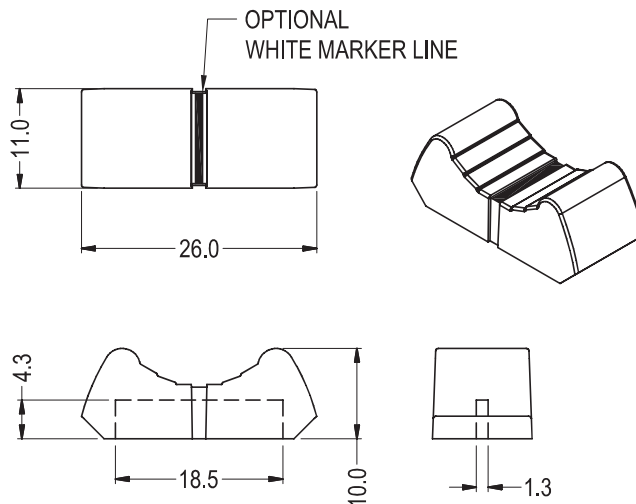
RoHS  
Compliant



## Description

- This is an addition to our slider knob range.
- Length 26mm. Width 11mm. Height 10mm.
- Conductive version available in black ONLY. Surface resistivity  $10^3$  Ohms/SQ.
- Non conductive version is available in black as standard. Other colours available subject to minimum order quantities.
- All versions have a matt finish to match other knobs in our range.

## Diagram



Dimensions : Millimetres

## Part Number Table

Description	Part Number
T-Bar Slider Knob without Marker Line	MP343601
T-Bar Slider Knob with Marker Line	MP343602
Conductive T-Bar Slider Knob without Marker Line	MP343611
Conductive T-Bar Slider Knob with Marker Line	MP343612

**Important Notice :** This data sheet and its contents (the "Information") belong to the members of the AVNET group of companies (the "Group") or are licensed to it. No licence is granted for the use of it other than for information purposes in connection with the products to which it relates. No licence of any intellectual property rights is granted. The Information is subject to change without notice and replaces all data sheets previously supplied. The Information supplied is believed to be accurate but the Group assumes no responsibility for its accuracy or completeness, any error in or omission from it or for any use made of it. Users of this data sheet should check for themselves the Information and the suitability of the products for their purpose and not make any assumptions based on information included or omitted. Liability for loss or damage resulting from any reliance on the Information or use of it (including liability resulting from negligence or where the Group was aware of the possibility of such loss or damage arising) is excluded. This will not operate to limit or restrict the Group's liability for death or personal injury resulting from its negligence. Multicomp Pro is the registered trademark of Premier Farnell Limited 2019.