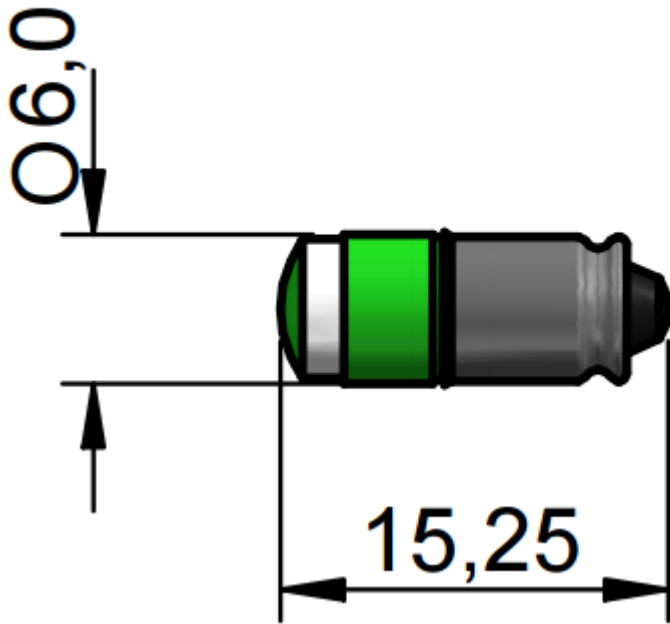


Datasheet

LED Indicator Lamp

RS ITEM NO 209-822



LED/Multiled	Multiled	Optimum voltage (V)	24Vdc	Intensity	35mcd
Mounting Size	TI 3/4	Rectifier	-		
Mounting Finish	-	AC current	-		
Protection	-	DC current	20mA		
Mount Holder	Midget Groove	Voltage Tolerance (%)	10%		
Chip Qty	6	Optimum temperature (°C)	-30°C...+65°C		
Indicator colour	Green	Storage temperature (°C)	-30°C...+65°C		
Wavelength (nm)	565	Contact Tab	Midget Groove		



*Dimension in mm (typical), not to scale.
We reserve the right to make changes without further notice to this product to improve reliability, function or design.*