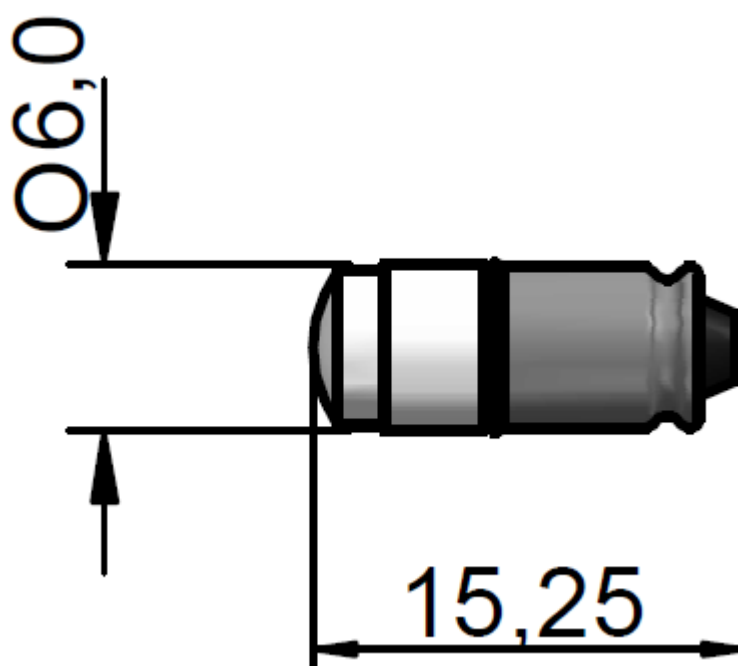


Datasheet

LED Indicator Lamp

RS Stock number 203-616

Dimensions (mm):



LED/Multiled	LED	Optimum voltage (V)	24Vac/dc	Intensity	2070mcd
Mounting Size	TI 3/4	Rectifier	Half Wave		
Mounting Finish	-	AC current	7mA		
Protection	-	DC current	15mA		
Mount Holder	Midget Groove	Voltage Tolerance (%)	10%		
Chip Qty	1	Optimum temperature (°C)	-30°C...+60°C		
Indicator colour	White	Storage temperature (°C)	-30°C...+60°C		
Wavelength (nm)		Contact Tab	Midget Groove		