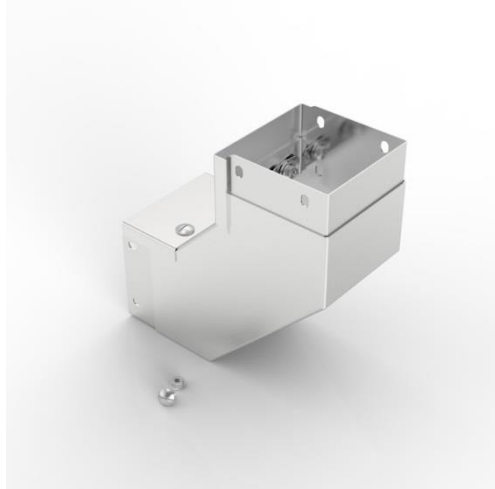


Datasheet

# RS Pro Trunking 90° Gusset Bend (Inside Lid)



## Specifications:

Stock No:	471-1467
Material:	304 - V2A - 1.4301 Stainless Steel
Finish:	Satin (Brushed)
Size (W x H mm):	50 x 50
Material Thickness (mm):	1.2
Material Gauge:	18
Lid Position:	Inside Lid Bend
Bend Angle:	90°
Patented Cover Plate:	Fitted over every lid joint, reduces the ingress of foreign matter.
Rating:	IP4X / IPXXD*