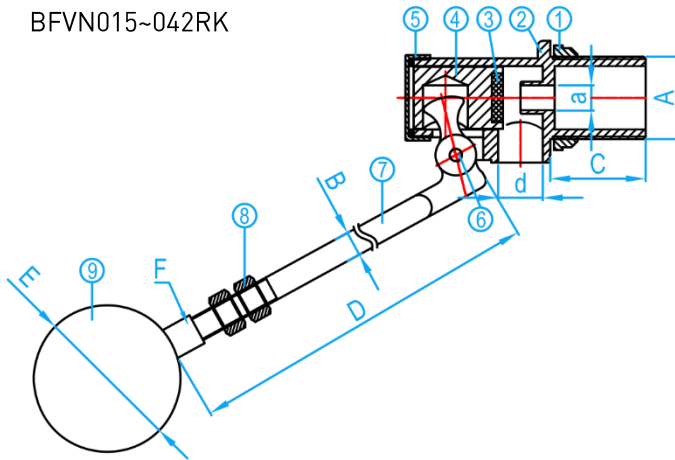


# DZR BRASS BALL FLOAT VALVE

COMPLY WITH BS1212 : PART1 : 1990


**STANDARD SPECIFICATIONS**

Working Pressure	14 Bar
Operating Temperature	20° ~ 65°C
Applicable Medium	Water

 Accessories Rubber seal kit:  
BFVN015~042RK

**CROSS SECTIONAL VIEW**
**COMPONENT PARTS**

ITEM	PARTS	MATERIAL
1	Lock nut	Brass
2	Body	DZR Brass
3	Disc	EPDM
4	Piston	DZR Brass
5	Cap	Brass
6	Pins	AISI304
7	Float Rod	Brass
8	Nut	Brass
9	Ball	AISI304, AISI316 Optional PE ( For 15mm, 20mm, 25mm)

\*Note: Rods are customisable

**DIMENSIONS**

SKU	A (inch)	a (mm)	B (mm)	C (mm)	d (mm)	D (mm)	E (mm)	F (inch)	WEIGHT (kg)
BFVN015	1/2" BSP	3	8	35	12.5	280	110	5/16"	0.49
BFVN020	3/4" BSP	8	8	35	15.0	335	110	5/16"	0.59
BFVN025	1" BSP	10	8	35	18.0	387	165	M10	1.20
BFVN035	1 1/4" BSP	11	9.8	50	21.0	411	200	1/2"	2.06
BFVN042	1 1/2" BSP	16	12.4	45	28.0	540	200	1/2"	2.40