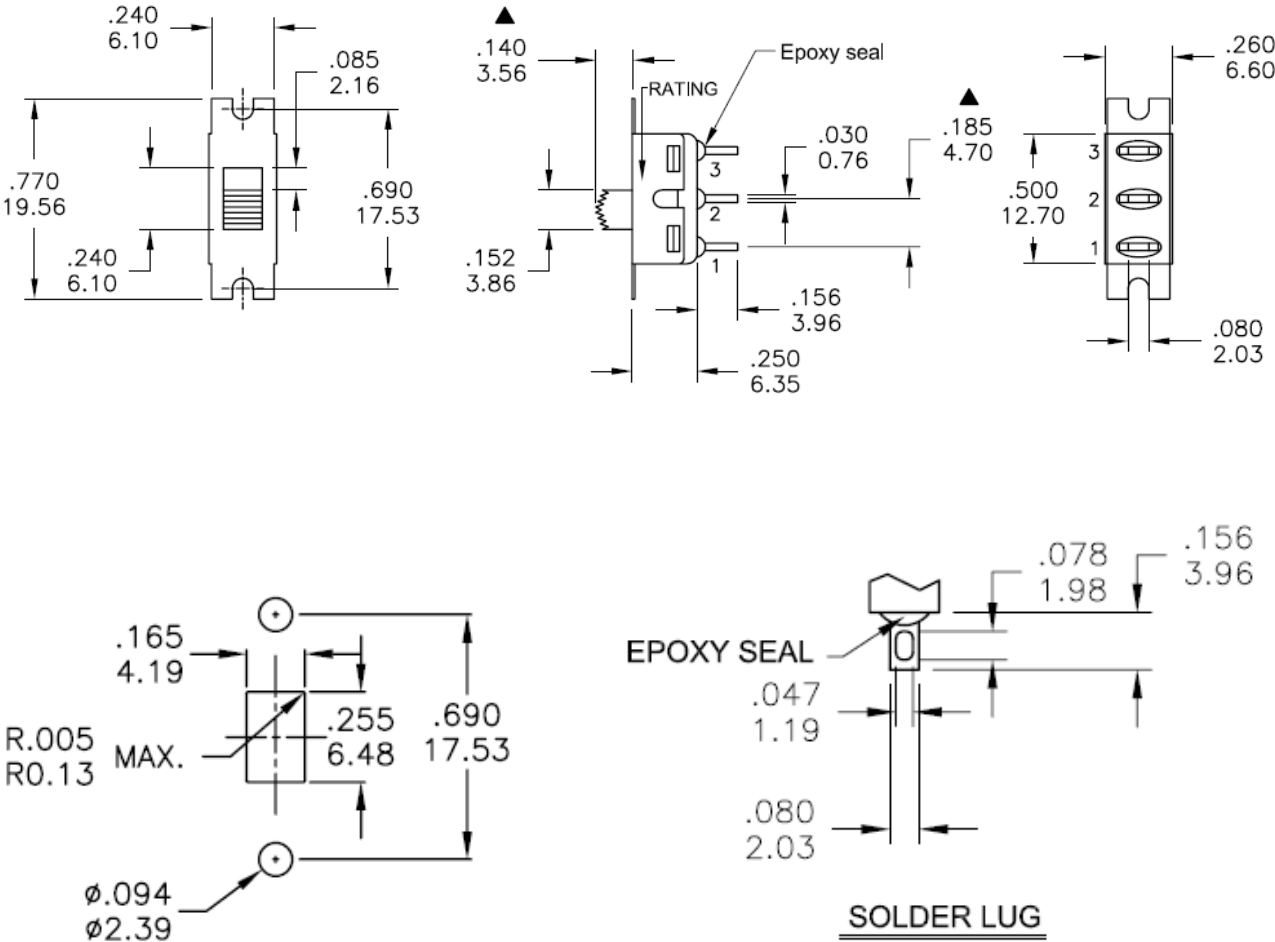


Datasheet

**Panel Mount Slide Switch SPDT On-On
5 A @ 28V dc Top**

RS Stock number [734-7328](#)

Drawing (mm):



SPECIFICATIONS

MECHANICAL LIFE: 30,000 make-and-break cycles.

CONTACT RESISTANCE: 10mΩ max. initial @ 2-4VDC
100mA for both silver and gold plated contacts.

INSULATION RESISTANCE: 1,000MΩ min.

DIELECTRIC STRENGTH: 1,000 V RMS@sea level.

OPERATING TEMPERATURE: -30°C to 85°C.

MATERIALS

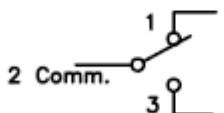
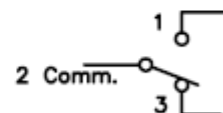
CASE: Dially phthalate (DAP) (UL94v-0).

ACTUATOR: Nylon,black std.

HOUSING: Stainless Steel.

CONTACT: Silver or gold plated.

TERMINAL SEAL: Epoxy.

Model No.	POS.1	POS.2	POS.3
5MS1	ON	NONE	ON
Term. Comm.	2-1	OPEN	2-3
SCHEMATIC			

SWITCH FUNCTION