

Banana Test Leads

multicomp PRO

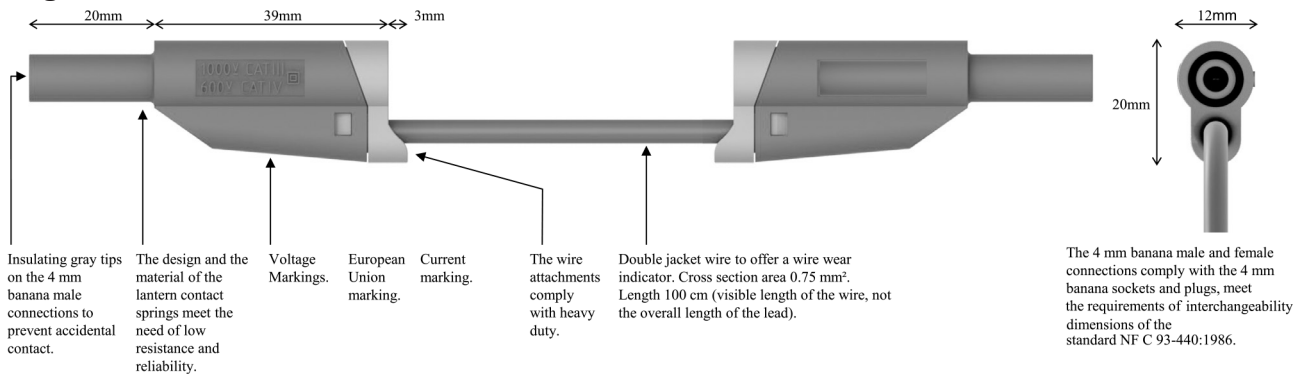
**RoHS
Compliant**



Characteristics

Electrical Safety	: According to EN / IEC 61010-031:2008 : 1000 V CAT II / 1000 V CAT III / 600 V CAT IV, reinforced insulation, 28A (at +40°C). These specifications come from the creepage distances, clearances, accessible parts, and solid insulation of the lead. And the considered specifications of the environment are : Pollution degree, 1 or 2; Relative humidity, 80% maximum for temperatures up to 31°C decreasing linearly to 50% relative humidity at +40°C, Temperature range, +5°C to +40°C Indoor use ; Altitude, 2000 m maximum. According to EN / IEC 60529 : IP2X (touchproof).
Operating Temperature	: -20°C to +80°C
Materials	: Conductors: Nickel-coated brass and red annealed copper. Wire jackets: Silicone. Insulators and lantern contact spring
Colour	: Red and Black
Overall Length	: 1 meter (100cm)

Diagram



Part Number Table

Description	Colour	Part Number
Stacking 4mm Male Banana Plug to Stacking 4mm Male Banana Plug Lead, 1m	Red	76-026
	Black	76-027

Dimensions : Millimetres

Important Notice : This data sheet and its contents (the "Information") belong to the members of the AVNET group of companies (the "Group") or are licensed to it. No licence is granted for the use of it other than for information purposes in connection with the products to which it relates. No licence of any intellectual property rights is granted. The Information is subject to change without notice and replaces all data sheets previously supplied. The Information supplied is believed to be accurate but the Group assumes no responsibility for its accuracy or completeness, any error in or omission from it or for any use made of it. Users of this data sheet should check for themselves the Information and the suitability of the products for their purpose and not make any assumptions based on information included or omitted. Liability for loss or damage resulting from any reliance on the Information or use of it (including liability resulting from negligence or where the Group was aware of the possibility of such loss or damage arising) is excluded. This will not operate to limit or restrict the Group's liability for death or personal injury resulting from its negligence. Multicomp Pro is the registered trademark of Premier Farnell Limited 2019.

Newark.com/multicomp-pro
Farnell.com/multicomp-pro
sg.element14.com/b/multicomp-pro

multicomp PRO