



ENGLISH

Datasheet

RS Pro Shim Kit, Stainless Steel

RS Stock No: **484-6939**



Product Details

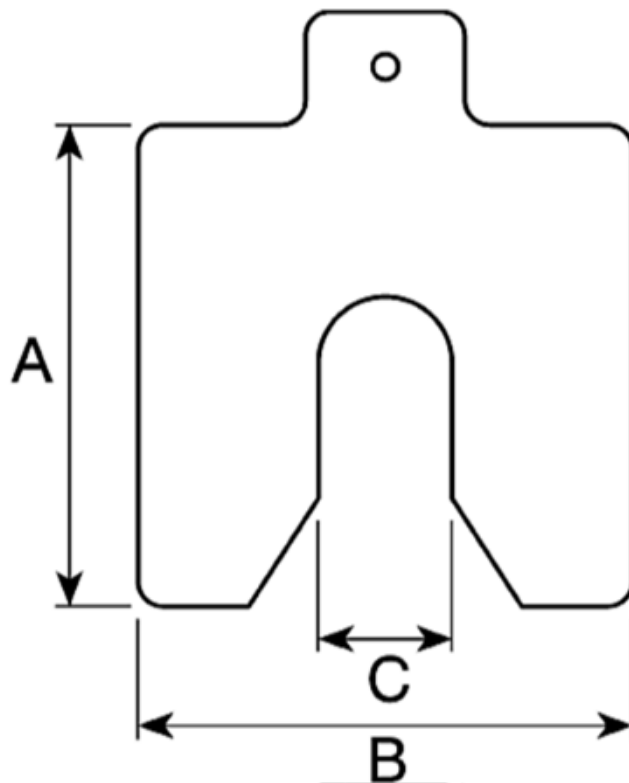
RS Pro stainless steel shim kit is designed to help achieve accurate alignment. This shim is shaped to ensure an easy fit in non-corroding metal with no grades or sharp edges.

Features and Benefits

- Shaped to ensure an easy fit in non-corroding metal with no grades or sharp edges
- Exact thickness clearly marked on each shim
- Individual shim packs contain 10 shims of the same thickness

Specifications:

Length	100 mm
Material	Stainless Steel
Number of Sheets	10
Thickness	0.05 mm, 0.1 mm, 0.25 mm, 0.5 mm, 1 mm
Width	100 mm



A : 100 mm
B : 100 mm
C : 32 mm
Bolt size: M27