



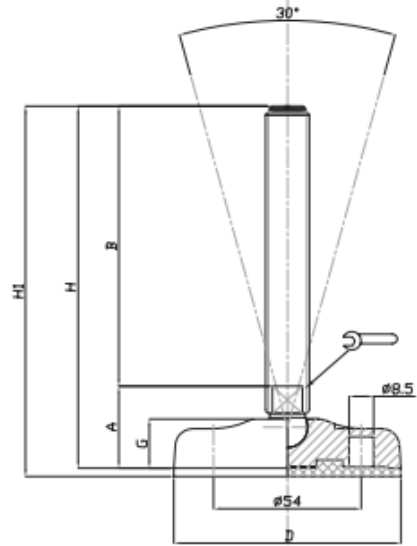
ENGLISH

Stainless Steel Plastic Levelling Feet

The RS Pro Height Adjustable mounts are used for levelling and support in many applications including food processing units, packing systems and conveyor systems.

The Plastic Foot base is made from a black polyamide material, reinforced by fiber glass, along with the Stainless Steel thread these are often used in food safe and cleanroom applications.

These mounts have 30 degree articulation capabilities.



Item Code	Description	A (mm)	B (mm)	D (mm)	F (mm)	G (mm)	H (mm)	H1 (mm)	Static Load (kg)
1854507	Plastic Foot 30 Degree Articulation with Stainless Steel Thread 304	27	75	40	M12	16.5	102	1.5	1000
1854508	Plastic Foot 30 Degree Articulation with Stainless Steel Thread 304	37	75	65	M16	23	112	115	1500
1854509	Plastic Foot 30 Degree Articulation with Stainless Steel Thread 304	30	125	50	M12	20	155	158	1100