

## FEATURES

- Made of ABS
- Available in black colour
- Includes 4 screws, 2 buffers, 2 blank plugs
- Recessed area for labels and keyboards

## RS PRO IoT Enclosures

RS Stock No.: 2383999



RS Professionally Approved Products bring to you professional quality parts across all product categories. Our product range has been tested by engineers and provides a comparable quality to the leading brands without paying a premium price.

## Family Name

### Product Description

*The 2383999 can be used for a variety of applications, including home temperature controllers or access control solutions.*

*Different plugs can be purchased as separate accessories in 10 pieces packs and available in lightgrey, black and white colours.*

*The enclosure features two buffers to separate the electronics from the fasteners. This keeps the electronic components safe and the finished product can be securely closed tamper sealed if necessary, with the installation of the device made easy. Enclosure can be attached to a pipe by zip ties using four rectangle holes.*

### General Specifications

<b>Material</b>	ABS
<b>Colour</b>	Black
<b>Applications</b>	IoT
<b>Mounting</b>	Desktop, Wall mount, Pole mount
<b>Ventilated</b>	No, Optional

### Mechanical Specifications

<b>Height</b>	33.0 mm
<b>Width</b>	75.2 mm
<b>Length</b>	125.05 mm
<b>Gasket</b>	No

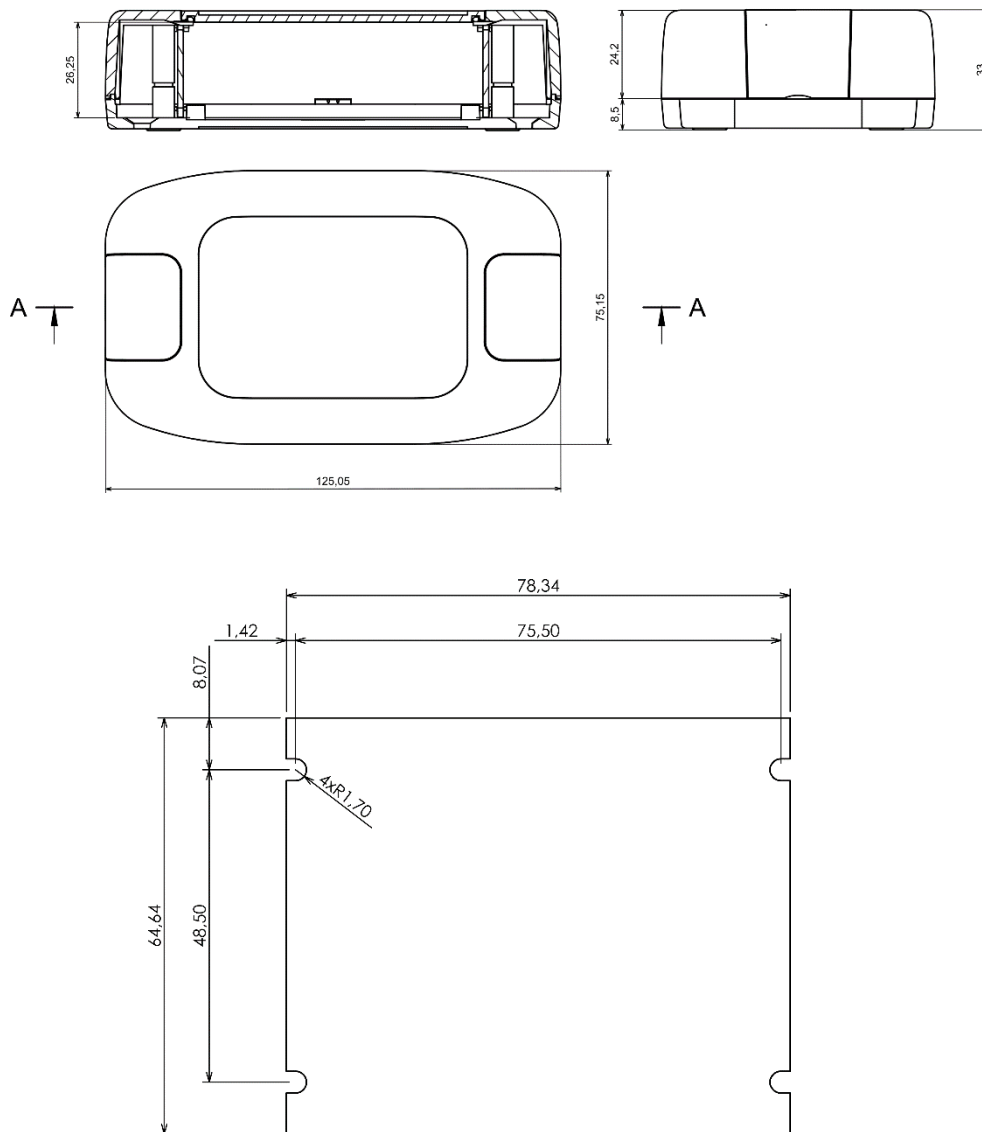
### Approvals

<b>Standards Met</b>	RoHS Compliant
----------------------	----------------

### Similar Products

Stock No.	Brand	Product Name	Colour
2384001	RS PRO	IoT Enclosure	Lightgray
2384000	RS PRO	IoT Enclosure	White

A-A



All dimensions are given within +/-0,5mm tolerance