

1

2

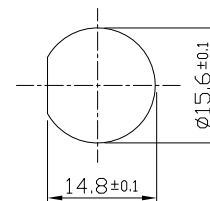
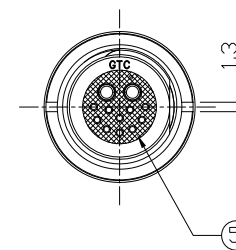
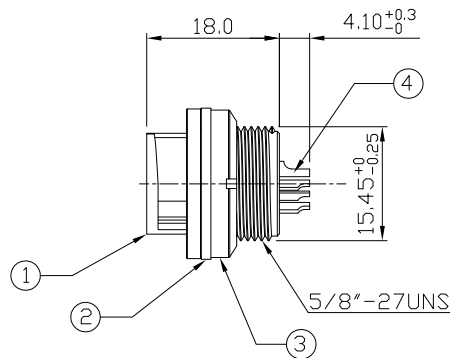
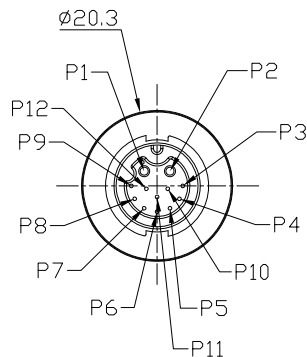
3

4

Notes: (Unless Otherwise Specified)

- 1. Waterproof Rate : IP67.
- 2. Recommend Panel Thickness : 0.8 to 3.5 mm.
- 3. Recommend Torque: 9~10 Kgf-cm.
- 4. RoHS Compliant.

REV	ECN#	DESCRIPTION OF REVISION	DRAW BY DATE	CHECK BY DATE	APPROVE BY DATE
01			Lucas 11/10/14	Ray 11/10/14	Ray 11/10/14



Recommended Panel Cut-Out

5	Glue	Epoxy Color: Black	
4	Contacts	Copper Alloy Finish: Au Plated	12
3	Spanner Nut	Thermoplastic Color: Black	1
2	Gasket	Silicone Color: Black	1
1	Housing	Thermoplastic Color: Black	1
Item	Part Name	Material / Finish	Q'ty

TITLE
C2 10A+1A 2P+10P Panel Rear Mount Female Solder Lock (Code A)

Mating Part No.
179-7937

REV.
01

Part No.
179-7934
Cap:
179-7952



	B	1:1	Lucas 11/10/14	Ray 11/10/14	Ray 11/10/14	X.X ± 0.5 X.XX ± 0.2	X.XXX ± 0.05 ANGLES ± 1°	mm	1/1
THIRD ANGLE PROJECTION	SIZE	SCALE	DRAW / DATE	CHECK / DATE	APPROVE / DATE	TOLERANCES		UNIT	SHEET

1

2

3

4