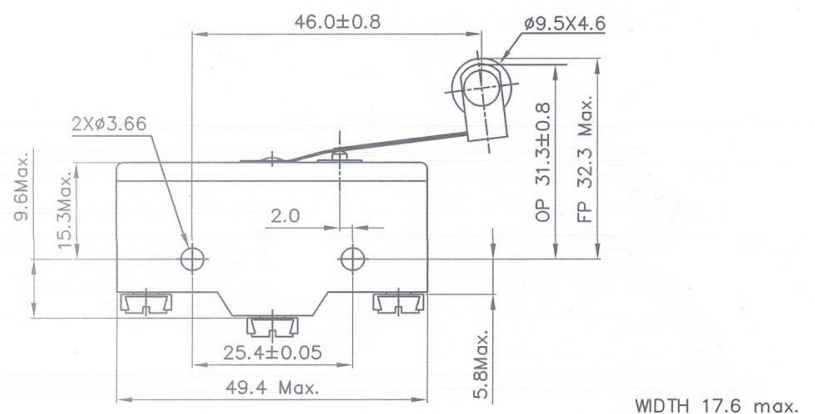


**FEATURES**

- MOULDED - CASED WITH "STEPPED" BASE AFFORDING MAXIMUM CREEPAGE DISTANCE BETWEEN TERMINALS.
- HAVING GREATER CONTACT GAP PERMITS HIGHER D C RATING.
- CONFORM TO IEC 1508-1 STANDARD.

# RS PRO Miniature Micro Switch

RS Stock No.: 804-6199



RS Professionally Approved Products bring to you professional quality parts across all product categories. Our product range has been tested by engineers and provides a comparable quality to the leading brands without paying a premium price.

## Product Description

- *Single-pole changeover, snap-acting switch.*
- *Beryllium copper trident spring operating mechanism.*
- *Fine silver contacts.*
- *Spring roller lever actuator.*

## General Specifications

<b>Contact Configuration</b>	SPDT
<b>Contact Arrangement</b>	1No + 1NC, snap action.
<b>Contacts</b>	Fine silver.
<b>Terminals</b>	M3.5 brass screws with cup washers, nickel plated on a stepped base.
<b>Case</b>	Phenolic thermo-setting plastic.
<b>Lever</b>	Spring steel.
<b>Salient Features</b>	Spring lever

## Electrical Specifications

Electrical Rating		
	Load	Rating
	<b>AC(Resistive)</b>	15A at 125V or 15 A at 250V or 15A at 440V.
	<b>AC(Inductive)</b>	5 A at 125V or 5 A at 250V or 4A at 440V.
	<b>DC(Resistive)</b>	0.5 A at 125V or 0.25 A at 250V.
	<b>DC(Inductive)</b>	0.05 A at 125V or 0.03 A at 250V.
<b>Contact Resistance</b>		10 milliohms(max.).
<b>Insulation Resistance</b>		1000 Megaohms(min.).
<b>Voltage Proof</b>		1 KV AC for one minute.
<b>Electrical life</b>		50,000 Operations.
<b>Mechanical life</b>		1 million Operations.

**Mechanical Specifications**

<b>Actuating Force (AF)</b>	170 gms. (max).
<b>Release Force(RF)</b>	21 gms. (min.).
<b>Free Position(FP)</b>	32.3 mm. (max.).
<b>Operating Position(OP)</b>	31.3±0.8 mm.
<b>Pretravel</b>	3.0 mm.(max).
<b>Movement Differential(MD)</b>	1.52 mm.(max),
<b>Overtravel</b>	2.4 mm. (max.).
<b>Mounting</b>	Side-mounting holes of ø3.6mm.are provided. Use M3.5 or #6 unified thread screw.
<b>Unit Weight</b>	33.8 gms. Approx.

**Operation Environment Specifications**

<b>Operating Temperature Range</b>	-10°C to +70°C.
------------------------------------	-----------------

**Protection Category**

<b>IP Rating</b>	IP40 (enclosure).
------------------	-------------------

**Approvals**

<b>Compliance/Certifications</b>	CE / CSA.
----------------------------------	-----------

**Similar Products**

Parameters	Stock#	Stock#	Stock#	Stock#
Brand	RS PRO	RS PRO	RS PRO	RS PRO
Contact Configuration				
Switch Operation				
Illuminated				
Actuator Colour				
Actuator Shape				
Legend Text				
Legend Text Colour				
Lens Shape/Symbol				
Contact Material				
Case Material				
Actuator Style				
Contact Current Rating				
AC Voltage Rating				
DC Voltage Rating				
Terminal Type				
Termination Style				
Contact Resistance				
Minimum Insulation Resistance				
Dielectric Strength				
Panel Cut Out Size				
Panel Cut Out Width				
Panel Cut Out Height				
Panel Cut Out Diameter				
Mounting Type				
Operating Temperature Range				
IP Rating				
Compliance/Certifications				

CONSTRUCTIONAL DIAGRAM/CIRCUIT DIAGRAMS