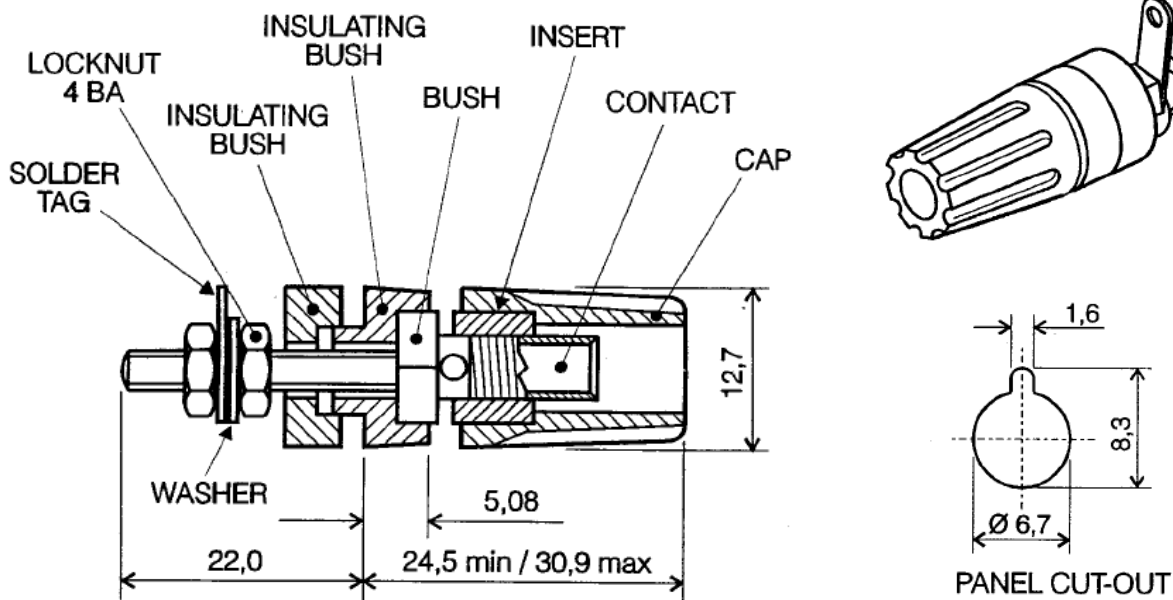


Datasheet

Yellow insulated terminal, 4mm socket

RS Stock number [423-245](#)

Dimensions: mm



Description:

Insulated terminal binding post with a 4mm socket. Panel insulating bushes have a location keyway, maximum panel thickness 12,7mm. Threaded termination supplied with solder tag washer.



Specifications:

Cap:	Acetal
Contact:	Brass, bright nickel plate
Insert:	Brass, bright nickel plate
Bush:	Brass, bright nickel plate
Insulating Bushes:	Acetal
Locknut:	Brass, bright nickel plate
Washer:	Brass, bright nickel plate
Solder Tag:	Brass, tin plate
Current Rating:	30A at 1000V