

## FEATURES

- Precise temperature control
- Compact geometric sizes and lightweight
- Reliable solid state operation
- No sound or vibration
- Environmentally friendly
- DC operation
- RoHS REACH Compliant

## RS PRO Peltier Module

RS Stock No.: 2172412



RS Professionally Approved Products bring to you professional quality parts across all product categories. Our product range has been tested by engineers and provides a comparable quality to the leading brands without paying a premium price.

**Product Description**

This Peltier module is suitable for various cooling and heat applications where only a limited area and a small amount of cooling or heat are involved. Typical applications are laser diode cooling, infrared systems, electro-optics and electronic equipment and other low wattage applications.

**Performance Parameters**

Hot Side Temperature (°C)	25°C	50°C
Qmax (watts):	4.4	4.8
Δ Tmax (°C):	67	74
I <sub>max</sub> (amps):	2.1	2.1
V <sub>max</sub> (vdc):	3.8	4.0
AC Resistance (ohms):	1.55	1.75

*\*\*Tolerances for thermal and electrical parameters are ± 10%.*

**Manufacturing Specifications**

**Performance Curves**

Joint Cover RTV Silicone (White)

Substrate Plate Blank Ceramics (96% Al<sub>2</sub>O<sub>3</sub>)

Plating N/A

Joint Cover RTV Silicone (White)

Lead Wires 26AWG PVC Stranded

Lead Wire Length 150mm±5mm

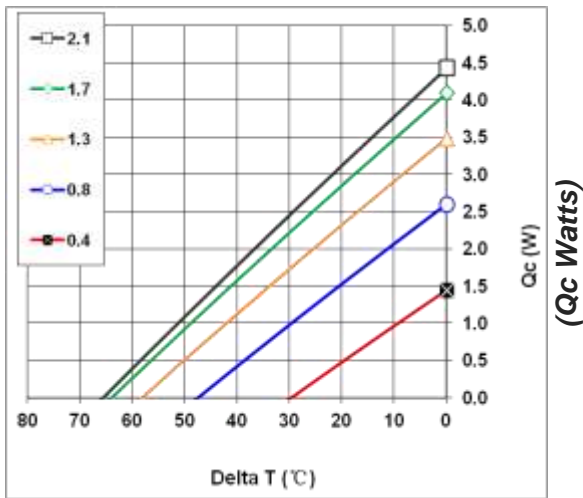
Solder Construction 138°C, Bismuth Tin (BiSn)

Module Size (mm) 12±0.1, 12±0.1, 12±0.1, 3.4±0.05

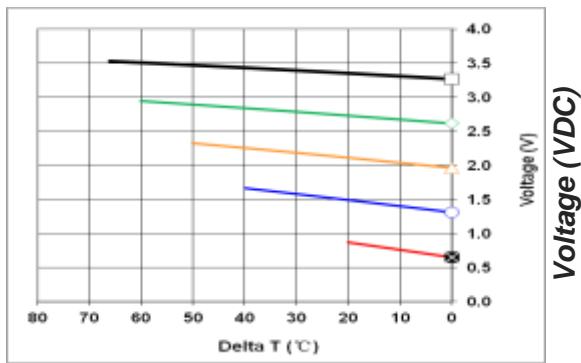
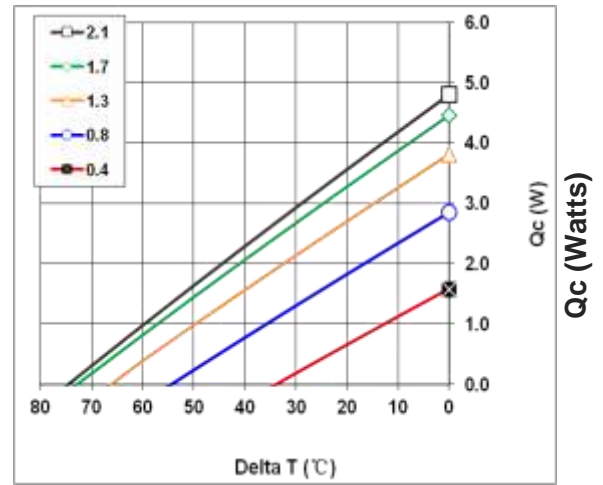
Flatness/Parallelism 0.05 mm / 0.05 mm

Marking P/N & S/N printed on cold side surface

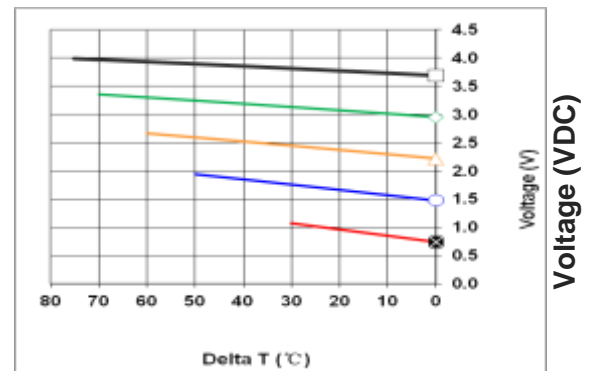
Hot Side Temperature 25°C



Hot Side Temperature 50°C



Delta T (°C)

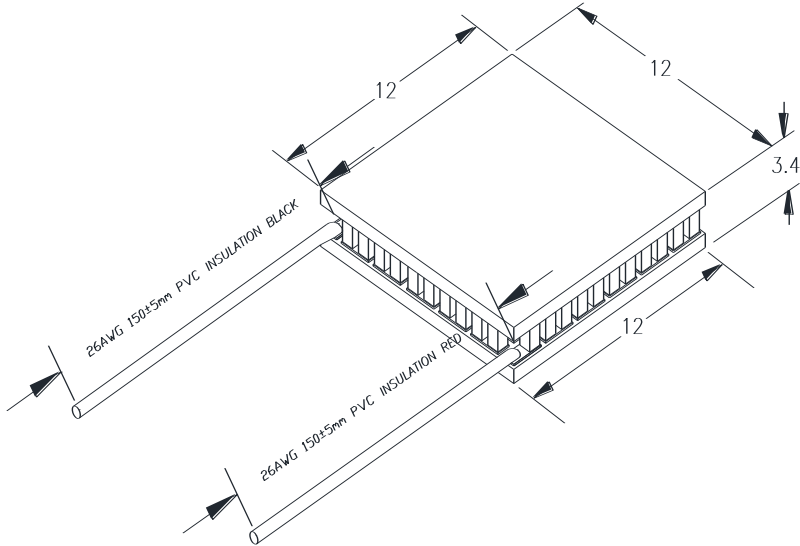


Delta T (°C)

Operation Cautions

- For maximum reliability, storage and operation below 90°C/194°F in a non-condensing environment is recommended.
- Do not exceed I<sub>max</sub> or V<sub>max</sub> when operating module.

Mechanical Drawing



\*\*All units are in millimeters unless otherwise stated.

**Additional Information**

**EAN**

**Custom Tariff Number** 85415000