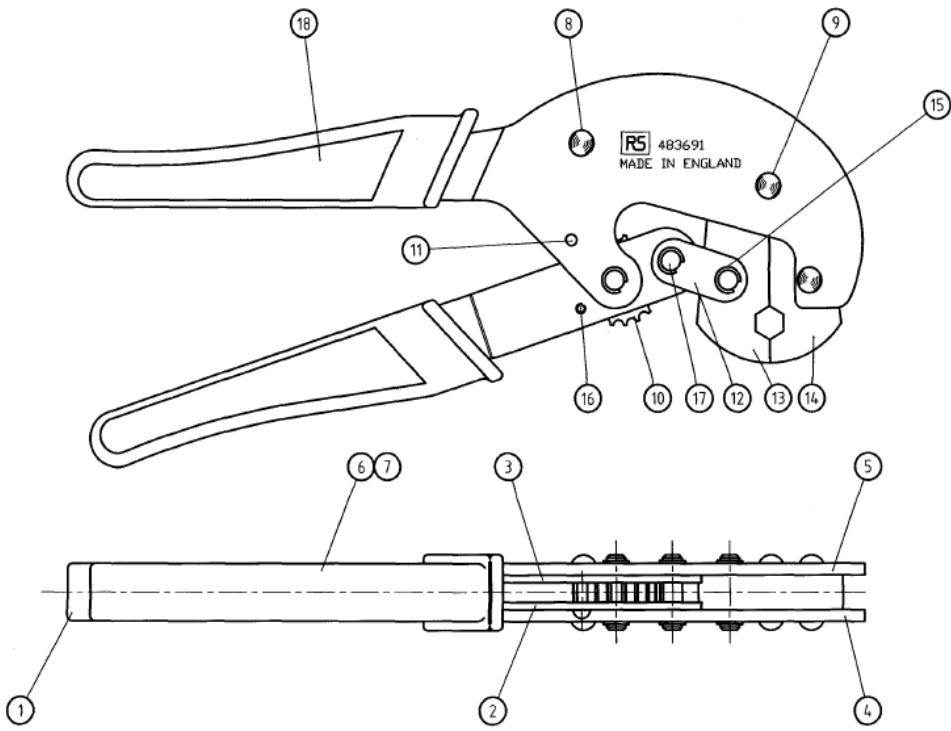


**Datasheet**

**F series non-ratchet crimp tool:  
RG59, RG6**

RS Stock number [483-691](#)



2	18	HANDLE SPACER
3	17	LINK PIN
1	16	M3x10 SOCKET BUTTON HD
6	15	CIRCLIP AM 1800-21
1	14	LOWER JAW
1	13	UPPER JAW
2	12	LINK
1	11	1/8" DIA C'LOCK PIN
1	10	ADJUSTER
3	9	Ø7/32" RIVET
1	8	BODY SPACER
4	7	HANDLE RIVET
2	6	HANDLE SPACER (BODY)
1	5	R.H. HANDLE & BODY
1	4	L.H. HANDLE & BODY
1	3	R.H. HANDLE
1	2	L.H. HANDLE
2	1	RED SLEEVE
AMTSYM		NAME

**Specifications**

A non-ratchet, cam-action crimping tool with hexagon die set to crimp F series connectors.