

FEATURES

- High performance design
- Performance Level 1
- RS232 standard interface
- Robust zinc plated steel shell
- Machined contacts
- UL 94V-0 insulator
- Flanges containing 3.05 mm mounting holes for screw mounting to a panel
- Solder cups for simple wire termination

RS PRO 9 Way Panel Mount D-sub Connector Plug, 2.77mm Pitch

RS Stock No.: 466-179



RS Professionally Approved Products bring to you professional quality parts across all product categories. Our product range has been tested by engineers and provides a comparable quality to the leading brands without paying a premium price.

Product Description

From RS PRO a high-performance D-Sub miniature connector with a robust zinc plated steel shell and solder cup terminations that allow the easy connection of wires. These D-sub connectors are Performance Level 1 which exceeds DIN Class 2, have an RS232 standard interface and conform to BS9523 F0010 and F0018. The pins of this subminiature connector are machined to a high quality and feature flanges with pre-drilled 3.05mm diameter holes on either side for easy panel mounting. These d-sub connectors are ideal for use in for I/O (input/output) interconnections in a wide range of industrial and commercial applications.

General Specifications

Number Of Contacts	9
Gender	Male
Body Orientation	Straight
Mounting Type	Panel Mount
D Connector	Standard D-Sub
D-Sub Shell Size	E
Termination Method	Solder
Housing Material	Steel
Dimensions	30.81mm x 12.55mm
Contact Material	Copper Alloy
Contact Plating	Gold
Application	Computers, monitors and scanners, Networking and communications equipment; Data processing equipment, Industrial equipment, Test and measurement instrumentation, Remote Sensors and data loggers, Portable electric generation equipment
Performance Level	1; 2 or 3
Material Flammability Rating	UL94 V-0

Electrical Specifications

Current Rating	5.0A
Voltage Rating	750V
Contact Resistance	5×10^3 ohms
Insulation Resistance	$< 5 \times 10^9$ ohms

Mechanical Specifications

Pitch	2.77mm
Length	30.81mm
Depth	12.55mm
Wire Accommodation	$< 0.5 \text{mm}^2$ (20AWG)

Operation Environment Specifications

Maximum Operating Temperature	+125°C
Minimum Operating Temperature	-55°C

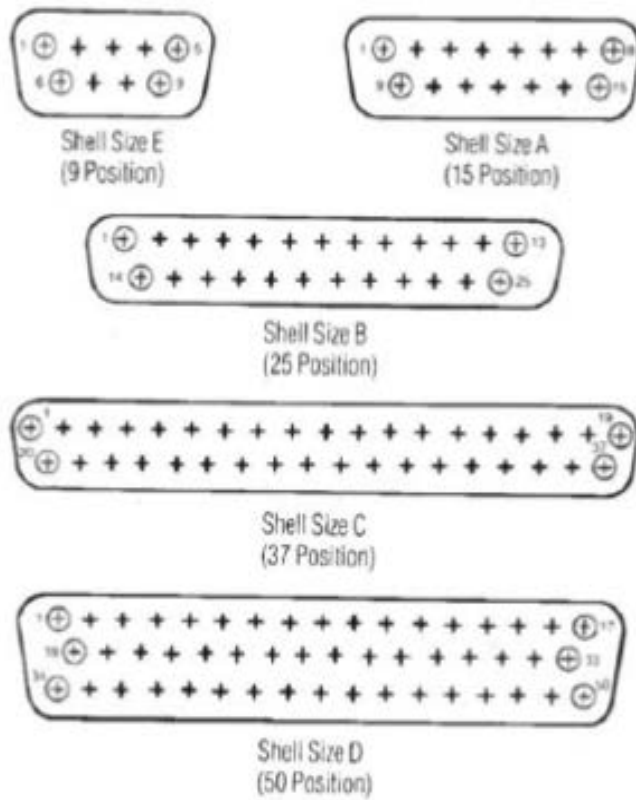
Approvals

Compliance/Certifications	BS9523 F0010 and F0018/MIL-C-24308, BS9523 F0018 and DIN 41652
---------------------------	--

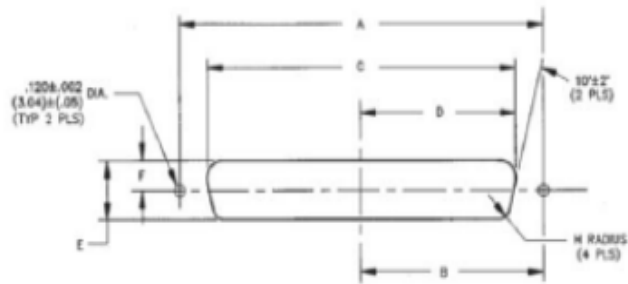




Standard Density Plug Inserts

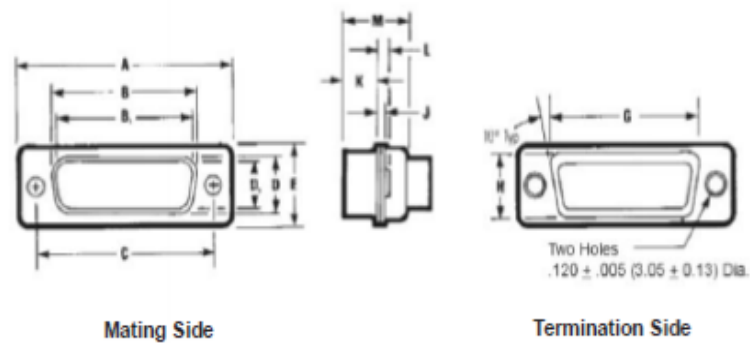


Panel Mounting Specifications



Dimensions

Shell Size	Positions	Mounting Method		A		B		C		D		E		F		H	
		Front/Rear Panel		in	mm	in	mm	in	mm	in	mm	in	mm	in	mm	in	mm
E	9	Front		0.98	24.89	0.49	12.45	0.87	22.10	0.44	11.18	0.51	12.95	0.26	6.60	0.08	2.03
		Rear		0.98	24.89	0.49	12.45	0.81	20.57	0.40	10.16	0.45	11.43	0.23	5.84	0.13	3.30
A	15	Front		1.31	33.27	0.66	16.76	1.10	27.94	0.60	15.24	0.51	12.95	0.26	6.60	0.08	2.03
		Rear		1.31	33.27	0.66	16.76	1.13	28.70	0.57	14.48	0.45	11.43	0.23	5.84	0.13	3.30
B	25	Front		1.85	46.99	0.93	23.62	1.74	44.20	0.87	22.10	0.51	12.95	0.26	6.60	0.08	2.03
		Rear		1.85	46.99	0.93	23.62	1.67	42.42	0.84	21.34	0.45	11.43	0.23	5.84	0.13	3.30
C	37	Front		2.50	63.50	1.25	31.75	2.39	60.71	1.20	30.48	0.51	12.95	0.26	6.60	0.08	2.03
		Rear		2.50	63.50	1.25	31.75	2.33	59.18	1.16	29.46	0.45	11.43	0.23	5.84	0.13	3.30
D	50	Front		2.41	61.21	1.20	30.48	2.30	58.42	1.15	29.21	0.62	15.75	0.31	6.60	0.08	2.03
		Rear		2.41	61.21	1.20	30.48	2.22	56.39	1.11	28.19	0.56	14.22	0.28	5.84	0.13	3.30



Shell Size	Positions	Connector Type	A ±.015" (0.38mm)		B ±.010" (0.25mm)		B ₁ ±.005" (0.13 mm)		C ±.005" (0.13mm)		D ±.010" (0.25mm)		D ₁ ±.010" (0.25mm)		E ±.010" (0.25mm)	
			in	mm	in	mm	in	mm	in	mm	in	mm	in	mm	in	mm
E	9	Plug	1.213	30.81	—	—	.666	16.90	0.984	24.99	—	—	.329	8.40	.494	12.55
		Socket	1.213	30.81	.640	16.26	—	—	0.984	24.99	.308	7.82	—	—	.494	12.55
A	15	Plug	1.541	39.14	—	—	.994	25.30	1.312	33.32	—	—	.329	8.40	.494	12.55
		Socket	1.541	39.14	.968	24.59	—	—	1.312	33.32	.308	7.82	—	—	.494	12.55
B	25	Plug	2.088	53.04	—	—	1.534	39.00	1.852	47.04	—	—	.329	8.40	.494	12.55
		Socket	2.088	53.04	1.508	38.30	—	—	1.852	47.04	.308	7.82	—	—	.494	12.55
C	37	Plug	2.729	69.32	—	—	2.182	55.40	2.500	63.50	—	—	.329	8.40	.494	12.55
		Socket	2.729	69.32	2.156	54.76	—	—	2.500	63.50	.308	7.82	—	—	.494	12.55
D	50	Plug	2.635	66.93	—	—	2.079	52.80	2.406	61.11	—	—	.436	11.07	.605	15.37
		Socket	2.635	66.93	2.062	52.34	—	—	2.406	61.11	.420	10.67	—	—	.605	15.37

Shell Size	Positions	Connector Type	G \pm .010" (0.25mm)		H \pm .010" (0.25mm)		J \pm .010" (0.25 mm)		K \pm .005" (0.25mm)		L \pm .010" (0.25mm)		M \pm .010" (0.25mm)	
			in	mm	in	mm	in	mm	in	mm	in	mm	in	mm
E	9	Plug	.759	19.28	.422	10.72	.030	0.76	.236	5.99	.045	1.14	.422	10.72
		Socket	.759	19.28	.422	10.72	.030	0.76	.243	6.17	.045	1.14	.429	10.92
A	15	Plug	1.083	27.51	.422	10.72	.030	0.76	.236	5.99	.045	1.14	.422	10.72
		Socket	1.083	27.51	.422	10.72	.030	0.76	.253	6.17	.045	1.14	.429	10.92
B	25	Plug	1.625	41.27	.422	10.72	.039	0.99	.231	5.87	.060	1.52	.426	10.82
		Socket	1.625	41.27	.422	10.72	.030	0.76	.243	6.17	.045	1.14	.429	10.92
C	37	Plug	2.272	57.71	.422	10.72	.039	0.99	.231	5.87	.060	1.52	.426	10.82
		Socket	2.272	57.71	.422	10.72	.030	0.76	.243	6.17	.045	1.14	.429	10.92
D	50	Plug	2.178	55.32	.534	13.56	.039	0.99	.231	5.87	.060	1.52	.426	10.82
		Socket	2.178	55.32	.534	13.56	.030	0.76	.243	6.17	.045	1.14	.429	10.92

B and D are outside dimensions for socket. D and B are inside dimensions for plug.