

FEATURES

- Heavy-duty die cast zinc handle
- Designed for repetitive fixing or clamping
- Ideal for use in small spaces
- Blackened steel inserts
- M5 to M12 thread sizes

RS PRO Clamping Lever, M8 x 40mm

RS Stock No.: 478-113



RS Professionally Approved Products bring to you professional quality parts across all product categories. Our product range has been tested by engineers and provides a comparable quality to the leading brands without paying a premium price.

Product Description

These die cast zinc clamping leavers with a steel metric thread from our own RS PRO brand are designed primarily to tighten or loosen screws eliminating the need for any special tools or wrenches. Clamp levers are ideal for use in hard to reach or confined spaces. Clamp levers are available in a range of thread sizes and stem lengths to suit a wide variety of applications.

General Specifications

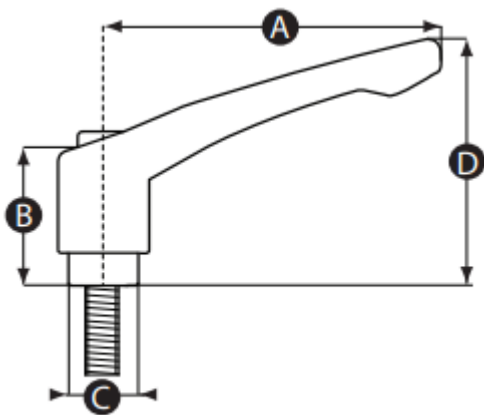
Lever Type	Clamping Lever
Thread Gender	Male
Thread Size	M8
Handle Material	Fibreglass Reinforced Nylon
Shaft Material	Steel
Insert Material	Steel
Colour	Black
Applications	Clamping levers are utilised in applications where screws are repeatedly tightened or loosened. They are useful when machinery must be swapped over, maintained or height adjustment is required regularly; Height Adjustment - Clamping levers can be used to adjust the height of tripods or metal framework and stands; Machinery Maintenance - Clamping levers are used to release fixings while performing critical machine maintenance. The time saving device allows for quick release and retightening of screws saving valuable machine down time

Mechanical Specifications

Thread/Insert Length	40mm
Length	65mm

Approvals

Compliance/Certifications	RoHS Certificate Of Compliance
---------------------------	--------------------------------



Part No.	A	B	C	D	Thread size	Thread length (mm)	Thread material	Handle Colour
478141	42	25	10	38	M6	16	Steel	Black
478147	42	25	10	38	M6	20	Steel	Black
478157	42	25	10	38	M6	32	Steel	Black
478163	65	31	14	50	M8	16	Steel	Black
478153	65	31	14	50	M8	20	Steel	Black
478462	65	31	14	50	M8	25	Steel	Black
478286	65	31	14	50	M8	32	Steel	Black
478113	65	31	14	50	M8	40	Steel	Black
478119	83	36	16	60	M10	20	Steel	Black
478337	83	36	16	60	M10	32	Steel	Black
478333	83	36	16	60	M10	40	Steel	Black
478197	83	36	16	60	M10	50	Steel	Black
478371	83	36	16	60	M12	50	Steel	Black
478416	83	36	16	60	M12	63	Steel	Black