

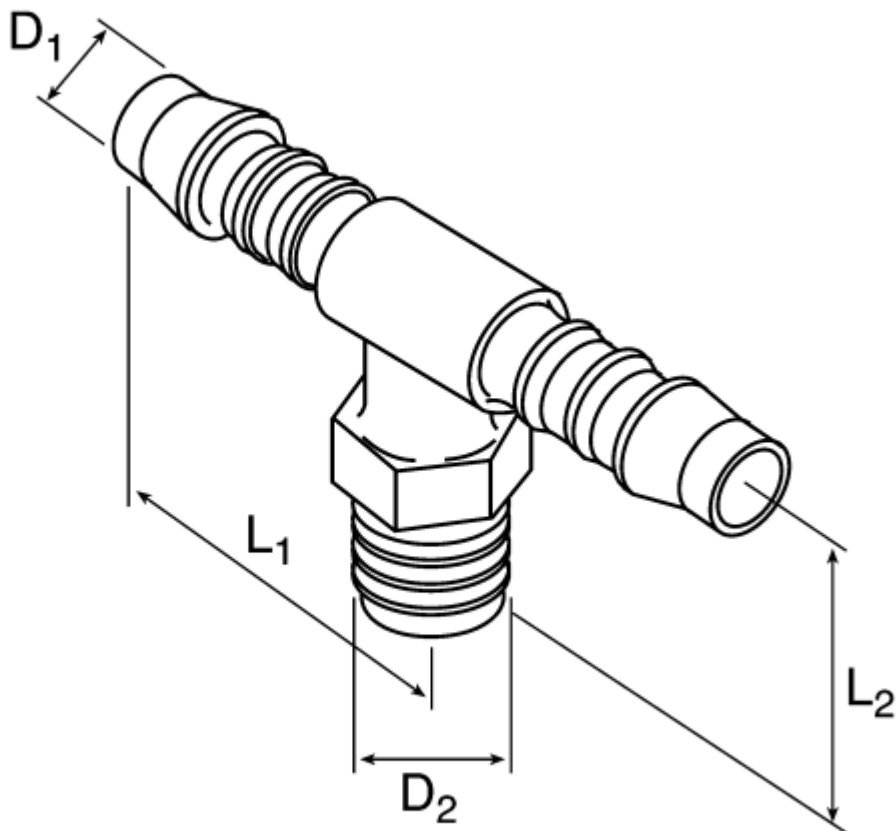
Datasheet

Stock No: 419-7322

Tee Male 1/8in, 1/8 in R Male, Polyamide

Product Details

Tee Connector



Plastic Push Fittings

Polyamide, tough, lightweight, good impact and wear resistance

Male BSPT, deep moulded ribs, allow use of hose clips, positive sealing

Specifications:

Hose Inner Diameter	4mm
Body Material	Polyamide
Threaded Connection	1/8 in R Male
Thread Size	1/8in
Coupling Gender	Male
Coupling Connector Direction	Tee
Thread Gender	Male
Thread Standard	R