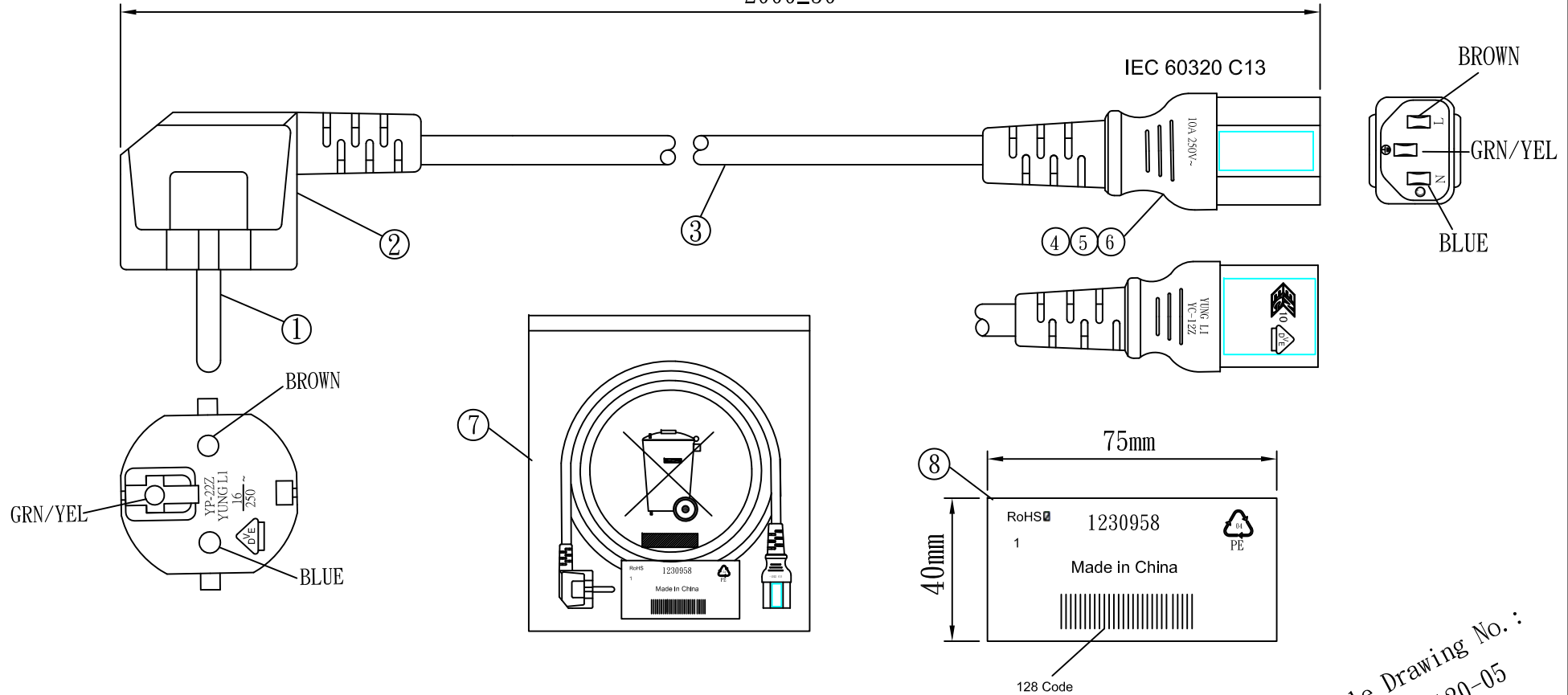




2000±50



Sample Drawing No.:
SP191120-05

NO.	SPECIFICATION	QTY	REMARK
1	Euro plug inner model:98651	1PC	
2	YP-22Z TPE PLASTIC:50P BLACK LSZH	34g/PC	
3	H05Z1Z1-F 1.0/3G BLACK LSZH	1PC	
4	YC-12Z INNER BODY	1PC	
5	TER:97740LBS-0	3PCS	
6	YC-12Z TPE PLASTIC:50P BLACK LSZH	18g/PC	
7	PE BAG:280x240x0.04mm	1PC	
8	BAG LABEL:75x40mm 128code	1PC	

MARKING:

YUNG LI H05Z1Z1-F 3G 1.0mm² <VDE> CE LSZH + HFFR

Tolerance >0±0.30 >1.0±0.50 >10.0±1.0 >20.0±2.0 Angle: ±1°	Approved		Date	YUNG LI CO., LTD			
		Checked		Date			
	Drawn	SUKI	Date	19.11.21	Customer	First connectivity	
	Cat. No.	YP-22Z/YC-12Z		P/N.	1230958		
	Drawing No.	Rev.	B	Material	TPE	Unit	mm
				Scale			