

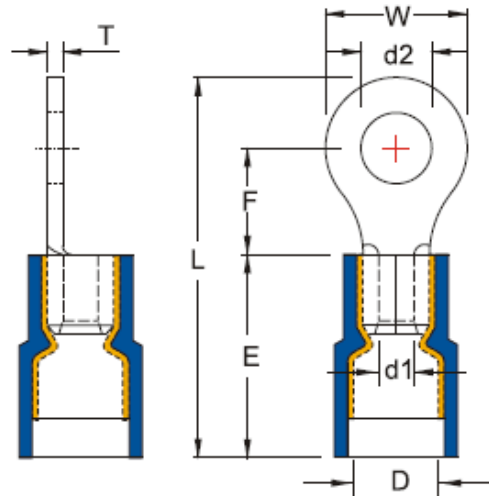
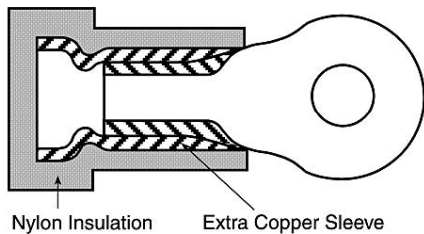


ENGLISH

Datasheet

RS PRO Blue Insulated Crimp Ring Terminal, 1.5mm² to 2.5mm², 16 AWG to 14 AWG, 6.4mm Stud Size

RS Stock number [267-3739](#)



Technical Specification

- Maximum Electrical Current:** 16 AWG: 18A, 14AWG: 30A
- Maximum Electrical Rating:** 105°C 600V maximum **Insulation**
- Material:** Nylon
- Inulsation Colour:** Blue
- Terminal Material:** Copper
- Double Crimp:** With copper sleeve on barrel

Dimensions

Wire Size (mm ² /AWG)	Stud Size		Dimensions (inch/mm)						
	d2		W	F	L	E	D	d1	T
	Size	(inch/mm)							
1.5-2.5 mm ² /16-14 AWG	1/4	.252/6.4	.472/12.0	.433/11.0	1.094/27.8	.433/11.0	.205/5.2	.091/2.3	.031/0.8