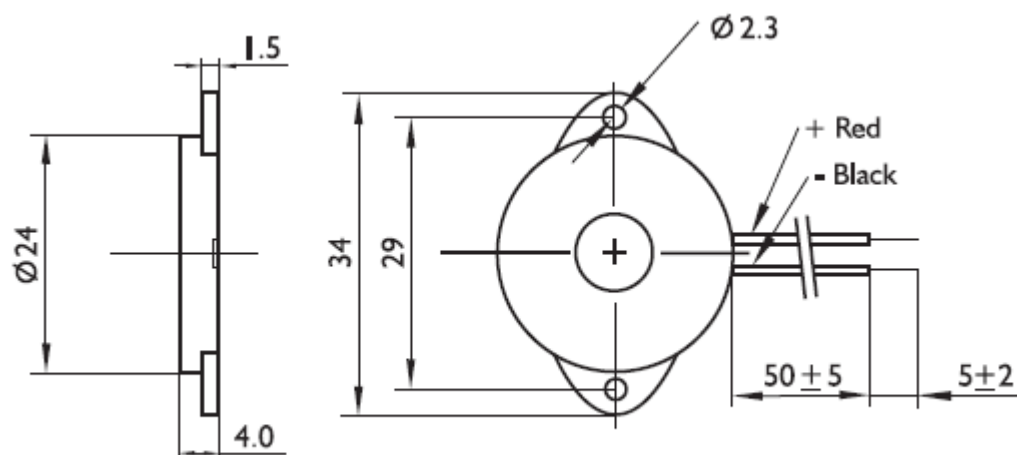


Datasheet Piezo Buzzer

RS Stock number [724-3156](#)

Dimensions(mm):



Specifications:

Rated Voltage (Vp-p square wave):	15Vp-p
Operating Voltage:	1~30Vp-p
Rated Current at Rated Voltage:	≤ 8 mA
Capacitance at 1KHz:	$18000 \pm 30\%$ pF
Sound Output at 2731Hz at 10cm:	≥ 90 dB
Resonant Frequency:	5500 ± 700 Hz
Operating Temperature:	-20~ +70°C
Storage Temperature:	-30~ +80°C
Lead Wire:	UL1571 AWG32
Weight:	3g

Requires additional electronic circuitry to operate as a sounder

Features:

- ROHS Compliant
- Black in colour

All data at 25°C unless otherwise specified