

FEATURES

RS PRO DC Axial Fan

RS stock no: 239-9452



RS Professionally Approved Products bring to you professional quality parts across all product categories. Our product range has been tested by engineers and provides a comparable quality to the leading brands without paying a premium price.

Product Description

These RS PRO Axial Fans are ideal for telecoms servers with high density systems where powerful fans are required to dissipate heat. In these extreme performance environments where higher speed and higher capacity hard drives are more susceptible to vibrations, these fans can offer a high airflow/ pressure and low vibration solution to meet the requirements.

Besides the great performance, benefits also include:

1. High reliability and long-life which can save the customer the cost of maintenance and downtime.
2. EMC solution built into fan unit.
3. High PQ Performance which provides reliable solution when Telecom systems are required to dissipate heat
4. Low noise design
5. High efficiency reduces power consumption and meets ErP standard

General Specifications

DC FAN 60 x 60 x 25 mm	9800 RPM, 21.7 CFM, 4.1 mm-H ₂ O, 32 dBA
-------------------------------	---

Mechanical Specifications

Ball Bearing	Frame Plastic (94V-0); Impeller Plastic (94V-0)
---------------------	---

Electrical Specifications

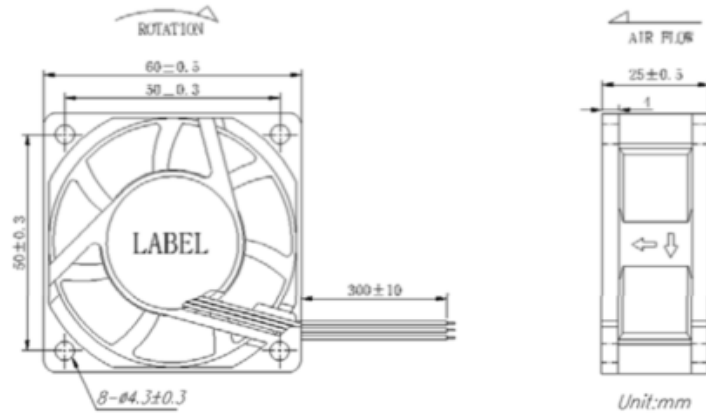
Voltage 24 V dc	Operation Voltage: 14.0~26.2 V dc, 0.96 A
------------------------	---

Classification

Safety Certification	UL, TUV, CE
-----------------------------	--------------------

Approvals

Quality System Approval	ISO9001
Environmental System Approval	ISO14001

**NOTE:**

1.UL LEAD WIRES

BLACK WIRE----- (-)

RED WIRE----- (+)