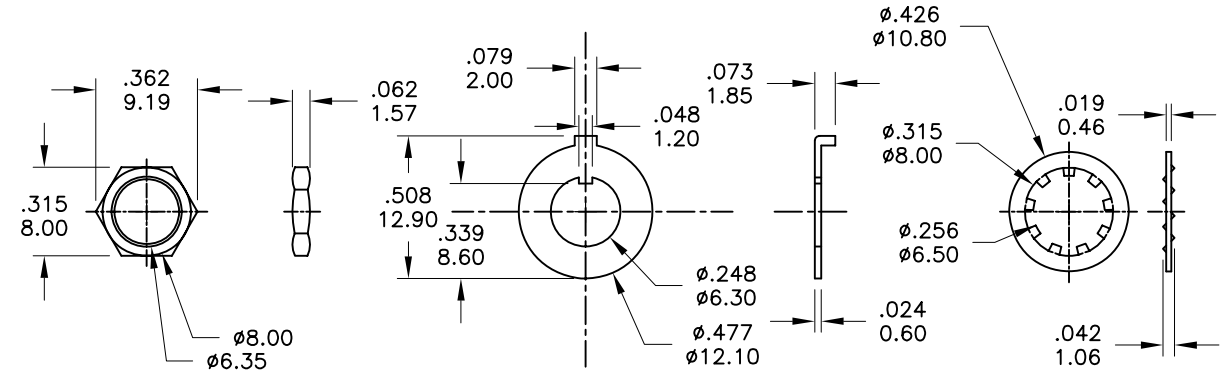
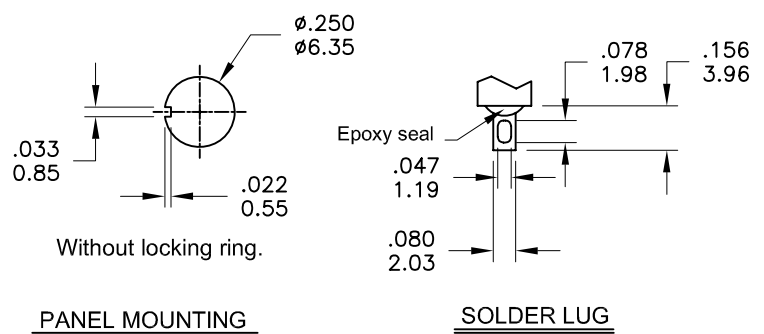


| Model No.   | POS.1   | POS.2       | POS.3   |
|-------------|---------|-------------|---------|
|             |         |             |         |
| 1MD6        | ON      | ON          | ON      |
| Term. Comm. | 2-3,5-6 | 2-3,5-4 (A) | 2-1,5-4 |
| SCHEMATIC   |         |             |         |

SWITCH FUNCTION



**SPECIFICATIONS**  
**MECHANICAL LIFE:** maximum operating cycles.  
**CONTACT RESISTANCE:** 10mΩ max. initial @ 2-4VDC  
 100mA for both silver and gold plated contacts.  
**INSULATION RESISTANCE:** 1,000MΩ min.  
**DIELECTRIC STRENGTH:** 1,000 V RMS@sea level.  
**OPERATING TEMPERATURE:** -30°C to 85°C.

**MATERIALS**  
**CASE:** Dially phthalate (DAP) (UL94v-0).  
**ACTUATOR:** Brass,chrome plated.  
**BUSHING:** Brass,nickel plated.  
**HOUSING:** Stainless Steel.  
**TERMINAL/CONTACT:** Silver or gold plated.



**RATING :**  
 R : 0.4 Volt-Amps(VA) max. @20V max.(AC or DC)  
 Q : 2Amps @250VAC  
 5Amps @120 VAC or 28 VDC

| REV. | 符號  | 原尺寸      | 修改後尺寸    | 變更日期        | SCALE (比例) : 3 : 2  | TITLE 圖名      | Miniature Toggle Switches | SIZE 圖紙 | A4              |          |        |
|------|-----|----------|----------|-------------|---|---------------|---------------------------|---------|-----------------|----------|--------|
| 1    | (A) | 1-2, 5-6 | 2-3, 5-4 | MAR-12-2007 | TOLERANCE (公差) :<br>0.00 mm ± 0.25mm<br>0.0 mm ± 0.40mm<br>ANGULAR : ± 5°<br>FILE NAME : 1MDP0503 | DWG NO. 圖號    | 1MD6T1B1M1QES-5           | UNIT 單位 | inch mm         |          |        |
| 2    | (B) |          |          |             |   | REV. 版本       | B                         | DATE 日期 | JUN - 13 - 2006 | SHEET 張數 | 1 of 1 |
| 3    | (C) |          |          |             |   | CHECKED BY 審核 | RICHARD                   |         | DRAWN BY 製圖     | ODA      |        |
| 4    | (D) |          |          |             |   |               |                           |         |                 |          |        |
| 5    | (E) |          |          |             |   |               |                           |         |                 |          |        |