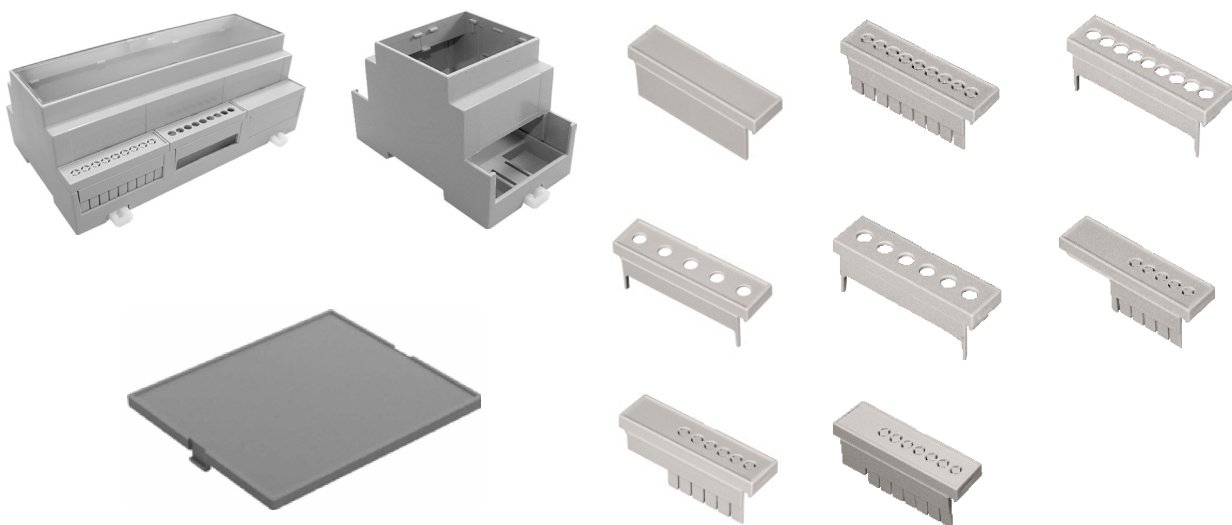




ENGLISH

## Datasheet

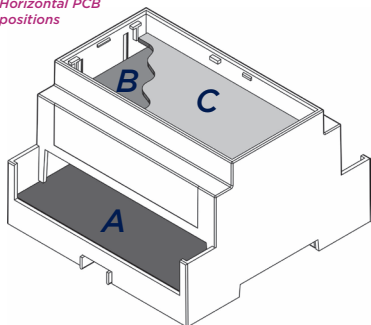
# Modular DIN Rail Enclosures



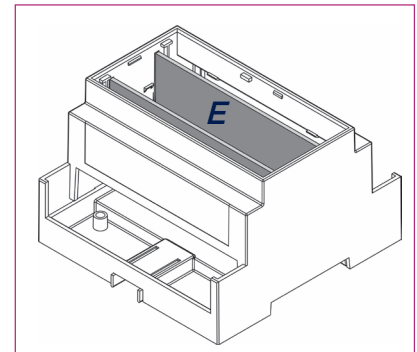
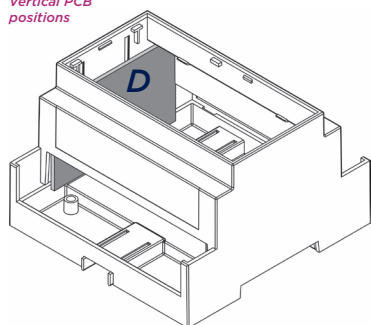
PART NUMBER	DESCRIPTION	BOX LENGTH	HORIZONTAL PCB SIZES			VERTICAL PCB SIZES	
			A	B	C	D	E
1947543	DIN Rail Box Size 1	17.5mm	86.5x14mm	57x14mm	41.8x14mm	34x59.6mm	40x14.8mm
1947544	DIN Rail Box Size 1	36mm	86.5x33mm	57x32mm	42x32mm	34x59.6mm	40x33mm
1947545	DIN Rail Box Size 2	36mm	86.5x33mm	57x32mm	42x32mm	34x59.6mm	40x33mm
1947546	DIN Rail Box Size 2	36mm	86.5x33mm	57x32mm	42x32mm	34x59.6mm	40x33mm
1947547	DIN Rail Box Size 2	36mm	86.5x33mm	57x32mm	42x32mm	34x59.6mm	40x33mm
1947548	DIN Rail Box Size 2	36mm	86.5x33mm	57x32mm	42x32mm	34x59.6mm	40x33mm
1947549	DIN Rail Box Size 3	53.4mm	86.5x50mm	57x49mm	42x49mm	34x59.6mm	40x50mm
1947550	DIN Rail Box Size 3	53.4mm	86.5x50mm	57x49mm	42x49mm	34x59.6mm	40x50mm
1947551	DIN Rail Box Size 3	53.4mm	86.5x50mm	57x49mm	42x49mm	34x59.6mm	40x50mm
1947552	DIN Rail Box Size 3	53.4mm	86.5x50mm	57x49mm	42x49mm	34x59.6mm	40x50mm
1947553	DIN Rail Box Size 4	71.2mm	86.5x68mm	57x67mm	42x67mm	34x59.6mm	40x68mm
1947554	DIN Rail Box Size 4	71.2mm	86.5x68mm	57x67mm	42x67mm	34x59.6mm	40x68mm
1947555	DIN Rail Box Size 4	71.2mm	86.5x68mm	57x67mm	42x67mm	34x59.6mm	40x68mm
1947556	DIN Rail Box Size 4	71.2mm	86.5x68mm	57x67mm	42x67mm	34x59.6mm	40x68mm
1947557	DIN Rail Box Size 4	71.2mm	86.5x68mm	57x67mm	42x67mm	34x59.6mm	40x68mm
1947558	DIN Rail Box Size 4	71.2mm	86.5x68mm	57x67mm	42x67mm	34x59.6mm	40x68mm
1947559	DIN Rail Box Size 5	88mm	86.5x84mm	57x83mm	42x83mm	34x59.6mm	40x84mm
1947560	DIN Rail Box Size 5	88mm	86.5x84mm	57x83mm	42x83mm	34x59.6mm	40x84mm
1947561	DIN Rail Box Size 5	88mm	86.5x84mm	57x83mm	42x83mm	34x59.6mm	40x84mm
1947562	DIN Rail Box Size 5	88mm	86.5x84mm	57x83mm	42x83mm	34x59.6mm	40x84mm
1947563	DIN Rail Box Size 6	106.2mm	86.5x103mm	57x102mm	42x102mm	34x59.6mm	40x103mm
1947564	DIN Rail Box Size 6	106.2mm	86.5x103mm	57x102mm	42x102mm	34x59.6mm	40x103mm
1947565	DIN Rail Box Size 6	106.2mm	86.5x103mm	57x102mm	42x102mm	34x59.6mm	40x103mm
1947566	DIN Rail Box Size 6	106.2mm	86.5x103mm	57x102mm	42x102mm	34x59.6mm	40x103mm

PART NUMBER	DESCRIPTION	BOX LENGTH	HORIZONTAL PCB SIZES			VERTICAL PCB SIZES	
			A	B	C	D	E
1947567	DIN Rail Box Size 9	159.2mm	86.5x156mm	57x155.5mm	42x155mm	34x59.6mm	40x155mm
1947568	DIN Rail Box Size 9	159.2mm	86.5x156mm	57x155.5mm	42x155mm	34x59.6mm	40x155mm
1947569	DIN Rail Box Size 9	159.2mm	86.5x156mm	57x155.5mm	42x155mm	34x59.6mm	40x155mm
1947570	DIN Rail Box Size 9	159.2mm	86.5x156mm	57x155.5mm	42x155mm	34x59.6mm	40x155mm
1947571	DIN Rail Box Size 9	159.2mm	86.5x156mm	57x155.5mm	42x155mm	34x59.6mm	40x155mm
1947572	DIN Rail Box Size 9	159.2mm	86.5x156mm	57x155.5mm	42x155mm	34x59.6mm	40x155mm
1947573	DIN Rail Box Size 12	212.1mm	86.5x208mm	57x207mm	42x207mm	34x59.6mm	40x208mm
1947574	DIN Rail Box Size 12	212.1mm	86.5x208mm	57x207mm	42x207mm	34x59.6mm	40x208mm
1947575	DIN Rail Box Kit Size 1	17.5mm	86.5x14mm	57x14mm	41.8x14mm	34x59.6mm	40x14.8mm
1947576	DIN Rail Box Kit Size 1	17.5mm	86.5x14mm	57x14mm	41.8x14mm	34x59.6mm	40x14.8mm
1947577	DIN Rail Box Kit Size 1	17.5mm	86.5x14mm	57x14mm	41.8x14mm	34x59.6mm	40x14.8mm
1947578	DIN Rail Box Kit Size 2	36mm	86.5x33mm	57x32mm	42x32mm	34x59.6mm	40x33mm
1947579	DIN Rail Box Kit Size 2	36mm	86.5x33mm	57x32mm	42x32mm	34x59.6mm	40x33mm
1947580	DIN Rail Box Kit Size 2	36mm	86.5x33mm	57x32mm	42x32mm	34x59.6mm	40x33mm
1947581	DIN Rail Box Kit Size 2	36mm	86.5x33mm	57x32mm	42x32mm	34x59.6mm	40x33mm
1947582	DIN Rail Box Kit Size 3	53.4mm	86.5x50mm	57x49mm	42x49mm	34x59.6mm	40x50mm
1947583	DIN Rail Box Kit Size 3	53.4mm	86.5x50mm	57x49mm	42x49mm	34x59.6mm	40x50mm
1947584	DIN Rail Box Kit Size 3	53.4mm	86.5x50mm	57x49mm	42x49mm	34x59.6mm	40x50mm
1947585	DIN Rail Box Kit Size 3	53.4mm	86.5x50mm	57x49mm	42x49mm	34x59.6mm	40x50mm
1947586	DIN Rail Box Kit Size 3	53.4mm	86.5x50mm	57x49mm	42x49mm	34x59.6mm	40x50mm
1947587	DIN Rail Box Kit Size 4	71.2mm	86.5x68mm	57x67mm	42x67mm	34x59.6mm	40x68mm
1947588	DIN Rail Box Kit Size 4	71.2mm	86.5x68mm	57x67mm	42x67mm	34x59.6mm	40x68mm
1947589	DIN Rail Box Kit Size 5	88mm	86.5x84mm	57x83mm	42x83mm	34x59.6mm	40x84mm
1947590	DIN Rail Box Kit Size 5	88mm	86.5x84mm	57x83mm	42x83mm	34x59.6mm	40x84mm
1947591	DIN Rail Box Kit Size 5	88mm	86.5x84mm	57x83mm	42x83mm	34x59.6mm	40x84mm
1947592	DIN Rail Box Kit Size 6	106.2mm	86.5x103mm	57x102mm	42x102mm	34x59.6mm	40x103mm
1947593	DIN Rail Box Kit Size 6	106.2mm	86.5x103mm	57x102mm	42x102mm	34x59.6mm	40x103mm
1947594	DIN Rail Box Kit Size 6	106.2mm	86.5x103mm	57x102mm	42x102mm	34x59.6mm	40x103mm
1947595	DIN Rail Box Kit Size 6	106.2mm	86.5x103mm	57x102mm	42x102mm	34x59.6mm	40x103mm
1947596	DIN Rail Box Kit Size 9	159.2mm	86.5x156mm	57x155.5mm	42x155mm	34x59.6mm	40x155mm
1947597	DIN Rail Box Kit Size 9	159.2mm	86.5x156mm	57x155.5mm	42x155mm	34x59.6mm	40x155mm
1947598	DIN Rail Box Kit Size 9	159.2mm	86.5x156mm	57x155.5mm	42x155mm	34x59.6mm	40x155mm
1947599	DIN Rail Box Kit Size 12	212.1mm	86.5x208mm	57x207mm	42x207mm	34x59.6mm	40x208mm

Horizontal PCB positions



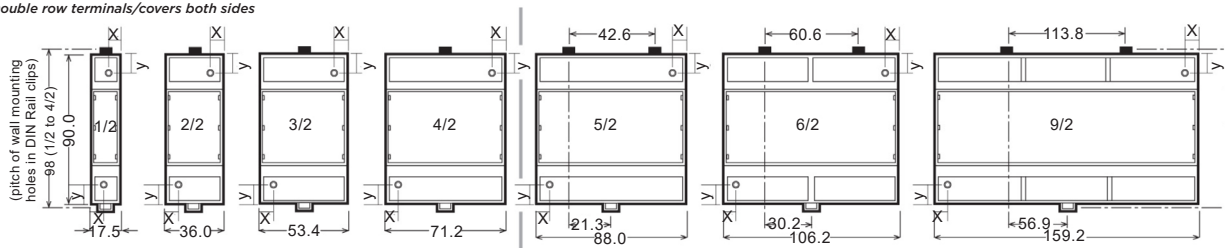
Vertical PCB positions



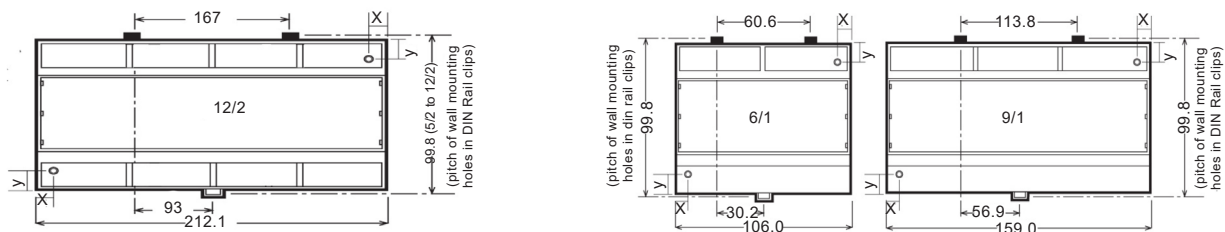
## Features and benefits:

- Snap fit modular design for ease of assembly and custom kitting
- Base fits 35mm DIN Rail or directly to flat surface
- Moulded in light grey UL94-V0 flame retardant polycarbonate
- Carries up to 3 PCBs horizontally or 2 vertically
- Snap fit terminal cover options for IP20 finger protection
- Snap in top covers available in grey, clear, transparent red and smoked
- Standard enclosure consists of base, top and rail/wall clips
- Open top as standard, solid top, vented and extended wall options available
- Covers and terminal guards ordered separately and can be supplied in kits
- Easily customised covers and terminal guards
- Clear, smoked and red covers are moulded in PC UL94-V2
- Grey covers are PC UL94-V0
- Enclosed base offers isolation from DIN Rail
- Front panel ideal for screen printing and recessed solid top for labels and membranes
- Other colours and EMC shielding available to order

Double row terminals/covers both sides



Single row terminals/covers on one side





ENGLISH

## Covers

PART NO.	STYLE
1947509	Clear Clip In Cover for size 1
1947510	Clear Clip In Cover for size 2
1947511	Clear Clip In Cover for size 3
1947512	Clear Clip In Cover for size 4
1947513	Clear Clip In Cover for size 5
1947514	Clear Clip In Cover for size 6
1947515	Clear Clip In Cover for size 9
1947516	Grey Clip In Cover for size 1
1947517	Grey Clip In Cover for size 2
1947518	Grey Clip In Cover for size 3
1947519	Grey Clip In Cover for size 4
1947520	Grey Clip In Cover for size 5
1947521	Grey Clip In Cover for size 6
1947522	Grey Clip In Cover for size 9
1947523	Grey Clip In Cover for size 12

## Clips

PART NO.	STYLE
1947507	Black Clips for DIN Rail Enclosure
1947508	White Clips for DIN Rail Enclosure

## Terminal guards

PART NO.	STYLE
1947524	Terminal Guard 5.08mm Drilled Holes for size 1
1947525	Terminal Guard 5.08mm Drilled Holes for size 2
1947526	Terminal Guard 5.08mm Drilled Holes for size 3
1947527	Terminal Guard 5.08mm Drilled Holes for size 4
1947528	Terminal Guard 5.08mm Drilled Holes for size 5
1947529	Terminal Guard Solid for Size 2
1947530	Terminal Guard Solid for Size 3
1947531	Terminal Guard Solid for Size 4
1947532	Terminal Guard Solid for Size 5
1947533	Terminal Guard 5.08mm Perforated Holes for size 2
1947534	Terminal Guard 5.08mm Perforated Holes for size 3
1947535	Terminal Guard 5.08mm Perforated Holes for size 4
1947536	Terminal Guard 5.08mm Perforated Holes for size 5
1947537	Terminal Guard 7.5mm Drilled Holes for size 2
1947538	Terminal Guard 7.5mm Drilled Holes for size 3
1947539	Terminal Guard 7.5mm Drilled Holes for size 5
1947540	Terminal Guard MiniUSB with 7x 5.08 holes for size 3
1947541	Terminal Guard RJ45 with 5x 5.08mm holes for size 3
1947542	Terminal Guard USB with 6x 5.08mm holes for size 3