

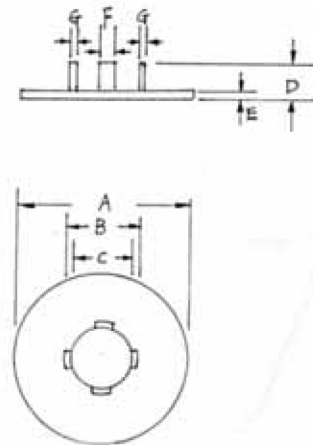
| RS P/N | | A | B | C | D | E | F | G | TYPE |
|---------------|------------------|------|------|------|-----|-----|-------------|----------|-------------------|
| 468-0638-0010 | CF-BJ15/RT-CLR | 29.0 | 12.7 | 11.1 | 6.0 | 1.5 | 2.5 | 0.8 | CLEAR |
| 468-0644-0010 | CF-BJ15/RT-P011 | 29.0 | 12.7 | 11.1 | 6.0 | 1.5 | 2.5 | 0.8 | 0-11/30° |
| 468-0650-0010 | CF-BJ15/RT-P112 | 29.0 | 12.7 | 11.1 | 6.0 | 1.5 | 2.5 | 0.8 | 1-12/30° |
| 468-0666-0010 | CF-BJ15/RT-SPR | 29.0 | 12.7 | 11.1 | 6.0 | 1.5 | 2.5 | 0.8 | 300° SPRIL |
| | CPBT-BJ15/R1-ARW | 29.0 | 12.7 | 11.1 | 6.0 | 1.5 | 2.5 | 0.8 | RED/WHITE ARROW |
| | CPBT-BJ15/R5-ARW | 29.0 | 12.7 | 11.1 | 6.0 | 1.5 | 2.5 | 0.8 | GREY/BLACK ARROW |
| 468-0672-0010 | CPBT-BJ15/R6-ARW | 29.0 | 12.7 | 11.1 | 6.0 | 1.5 | 2.5 | 0.8 | BLACK/WHITE ARROW |
| 468-0694-0010 | CF-BJ21/RT-CLR | 36.8 | 18.6 | 17.0 | 6.4 | 1.5 | 2.5 | 0.8 | CLEAR |
| 468-0701-0010 | CF-BJ21/RT-P011 | 36.8 | 18.6 | 17.0 | 6.4 | 1.5 | 2.5 | 0.8 | 0-11/30° |
| 468-0717-0010 | CF-BJ21/RT-P112 | 36.8 | 18.6 | 17.0 | 6.4 | 1.5 | 2.5 <td 0.8 | 1-12/30° | |
| 468-0723-0010 | CF-BJ21/RT-SPR | 36.8 | 18.6 | 17.0 | 6.4 | 1.5 | 2.5 | 0.8 | 300° SPRIL |
| | CPBT-BJ21/R1-ARW | 36.8 | 18.6 | 17.0 | 6.4 | 1.5 | 2.5 | 0.8 | RED/WHITE ARROW |
| | CPBT-BJ21/R5-ARW | 36.8 | 18.6 | 17.0 | 6.4 | 1.5 | 2.5 | 0.8 | GREY/BLACK ARROW |
| 468-0739-0010 | CPBT-BJ21/R6-ARW | 36.8 | 18.6 | 17.0 | 6.4 | 1.5 | 2.5 | 0.8 | BLACK/WHITE ARROW |
| 468-0751-0010 | CF-BJ29/RT-CLR | 46.8 | 26.0 | 24.0 | 6.4 | 1.5 | 3.0 | 1.0 | CLEAR |
| 468-0767-0010 | CF-BJ29/RT-P011 | 46.8 | 26.0 | 24.0 | 6.4 | 1.5 | 3.0 | 1.0 | 0-11/30° |
| 468-0773-0010 | CF-BJ29/RT-P112 | 46.8 | 26.0 | 24.0 | 6.4 | 1.5 | 3.0 | 1.0 | 1-12/30° |
| 468-0789-0010 | CF-BJ29/RT-SPR | 46.8 | 26.0 | 24.0 | 6.4 | 1.5 | 3.0 | 1.0 | 300° SPRIL |



CLEAR 0-11/30° 1-12/30° 300°SPRIL



CPBT-BJ15/R1-ARW CPBT-BJ15/R5-ARW CPST-BJ21-R6/ARW



Material: PLASTIC
Tolerance: +/-0.20
Unit : mm

CF-BJ RING SERIES

Date: 26-Jun-09