

Datasheet

RS PRO VINYL-INSULATED (MOLDED EASY ENTRY) DIN RING TERMINALS

Stock number: 178-7272

MAXIMUM ELECTRIC CURRENT:

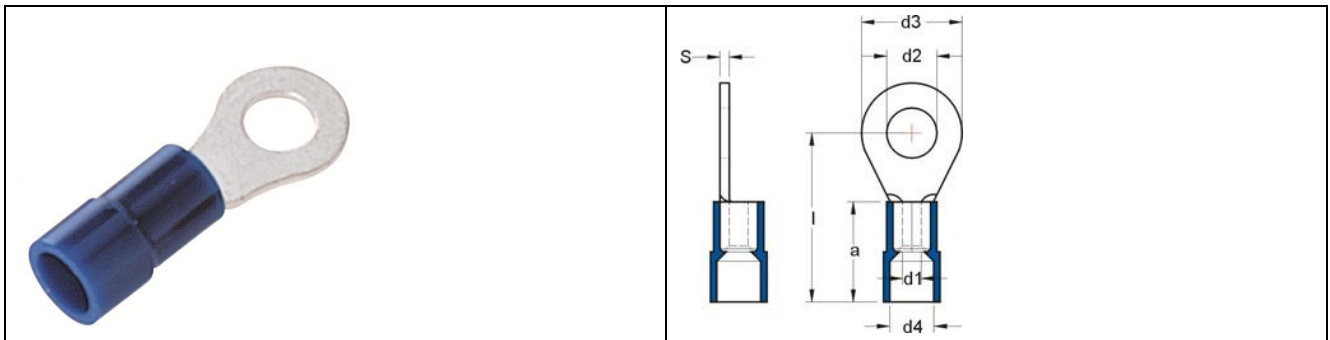
A.W.G.	16	14
AMP.	18	30


MAXIMUM ELECTRICAL RATING: 105° C 600 VOLTS MAX.

INSULATION MATERIAL: VINYL (PVC)

TERMINAL MATERIAL: COPPER

INSULATION COLOR: BLUE



WIRE RANGE A.W.G. mm ²	ITEM NO. BUTTED SEAM	STUD SIZE d2	DIMENSION (mm)						
			D3	I	d1	D4	A	S	
16-14 A.W.G. 1.5-2.5 mm ²	 178-7272	#10	5.3	10	20	2.3	4.5	11	0.8