

## FEATURES

- Viewing window / sight-hole for good crimp identification
- Tin plated copper tube
- High-grade Vinyl or Nylon insulating material (Nylon insulation for mini yellow terminals only)
- Colour coded for easy wire size identification
- Easy to crimp using a ratchet tool
- Durable and reliable termination
- Extremely cost effective

## RS PRO Butt Wire Splice Connector, Blue, Insulated 16 → 14 AWG

RS Stock No.: 267-4013



RS Professionally Approved Products bring to you professional quality parts across all product categories. Our product range has been tested by engineers and provides a comparable quality to the leading brands without paying a premium price.

## Product Description

From RS PRO, a selection of insulated ferrules or Butt Connectors designed for crimping electrical wires. The tube-shaped terminals act as a solderless cable joint allowing electrical current to flow safely from one wire to another. Professionally designed using high-quality materials, RS PRO's range of butt splice terminals are used to repair, change or lengthen electrical circuits.

## General Specifications

<b>Splice Type</b>	Butt
<b>Contact Material</b>	Copper
<b>Colour</b>	Blue
<b>Insulation</b>	Insulated
<b>Insulation Material</b>	Nylon
<b>Application</b>	Industrial control systems, Automotive and transportation sector, Machine building, Electrical and electronic equipment, Commercial and domestic appliances

## Mechanical Specifications

<b>Minimum Wire Size (mm<sup>2</sup>)</b>	1.5mm <sup>2</sup>
<b>Maximum Wire Size (mm<sup>2</sup>)</b>	2.5mm <sup>2</sup>
<b>Overall Length</b>	31mm
<b>Diameter</b>	4.6mm
<b>Minimum Wire Size (AWG)</b>	16AWG
<b>Maximum Wire Size (AWG)</b>	14AWG
<b>Wire Size</b>	16 to 14 AWG

## Operation Environment Specifications

Maximum Operating Temperature	+105°C
Minimum Operating Temperature	-20°C
Operating Temperature Range	-20°C to +105°C

## Approvals

Compliance/Certifications	2011/65/EU and 2015/863
Standards Met	ANSI/ESD S20.20:2014 and BS EN 61340-5-1:2007

**MAXIMUM ELECTRIC CURRENT:**

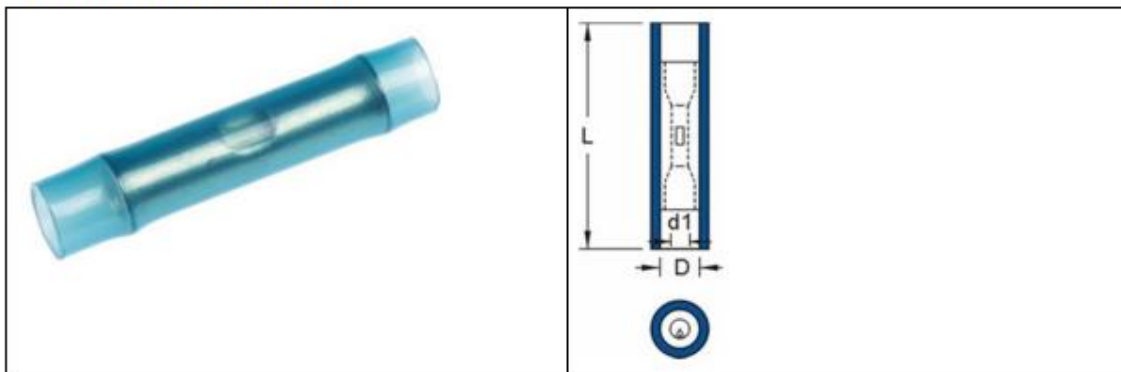
A.W.G.	16	14
AMP.	18	30

**MAXIMUM ELECTRICAL RATING:** 105° C 600 VOLTS MAX.

**INSULATION MATERIAL:** NYLON

**TERMINAL MATERIAL:** COPPER TUBULAR

**INSULATION COLOR:** BLUE



WIRE RANGE A.W.G. mm <sup>2</sup>	ITEM NO.	DIMENSION inch(mm)			MATERIAL
		L	D	d1	
16-14 A.W.G. 1.5-2.5 mm <sup>2</sup>	267-4013	1.22 31	0.181 4.600	0.098 2.5	COPPER TUBULAR