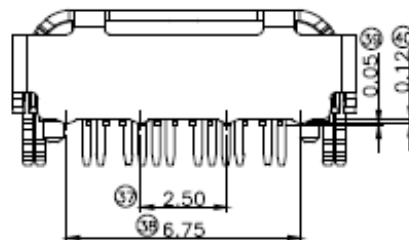
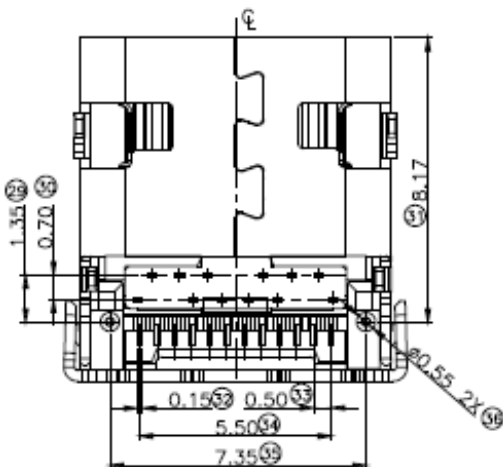
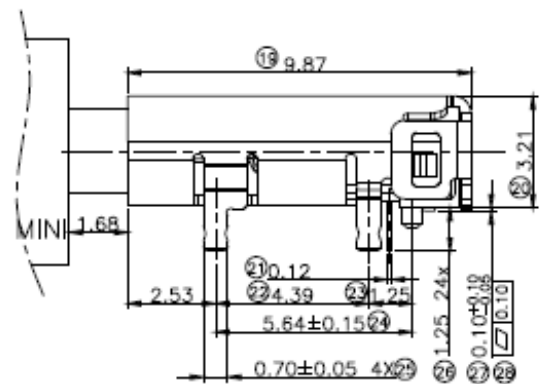
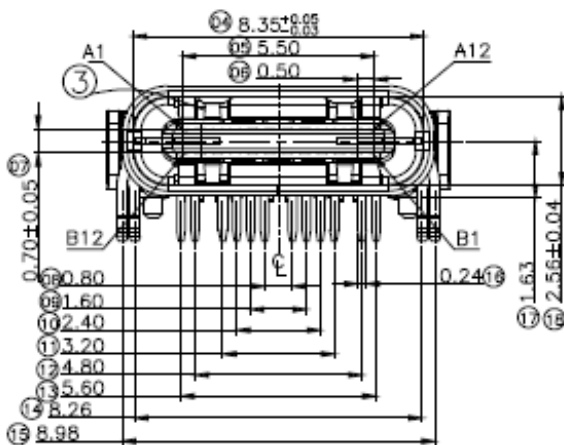
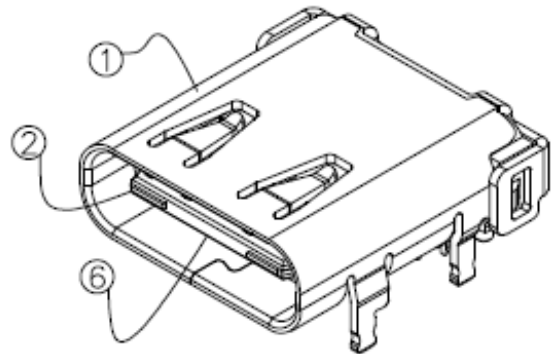
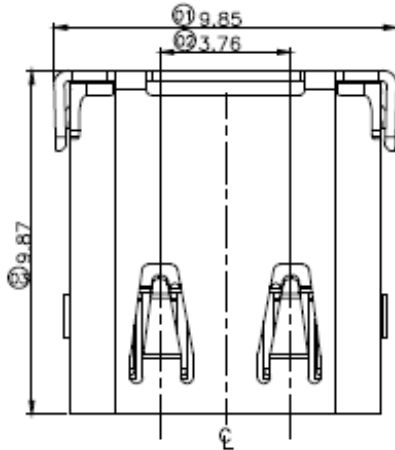


# Datasheet

## PCB Mount Type C Female + Locking Spring

RS Stock number 895-0556

Unit: mm





ENGLISH

1. SERIES NO.  
3K: USB TYPE C CONNECTOR
2. TAIL CONSTRUCTION TYPE  
G: SMT+H/T TYPE
3. NUMBER OF PIN  
024: 24 POSITIONS
4. CONTACT & CONNECTING TYPES:  
S: SOCKET
5. HOUSING COLOR.  
3: BLACK
6. TERMINAL PLATING:  
0S: CONTACT AREA: Au 1U", SOLDER AREA:GOLD FLASH  
05: CONTACT AREA: Au 15U", SOLDER AREA:GOLD FLASH  
06: CONTACT AREA: Au 30U", SOLDER AREA:GOLD FLASH
7. SHELL PLATING  
N: PLATING NI
8. ENVIRONMENTAL.  
3: HF
9. PACKING.  
R: TAPE REEL PACKING
10. AUXILIARY CODE.  
2: With a back cover and LOGO
11. SUFFIX NO.  
001:CENTER HEIGHT H=1.63mm