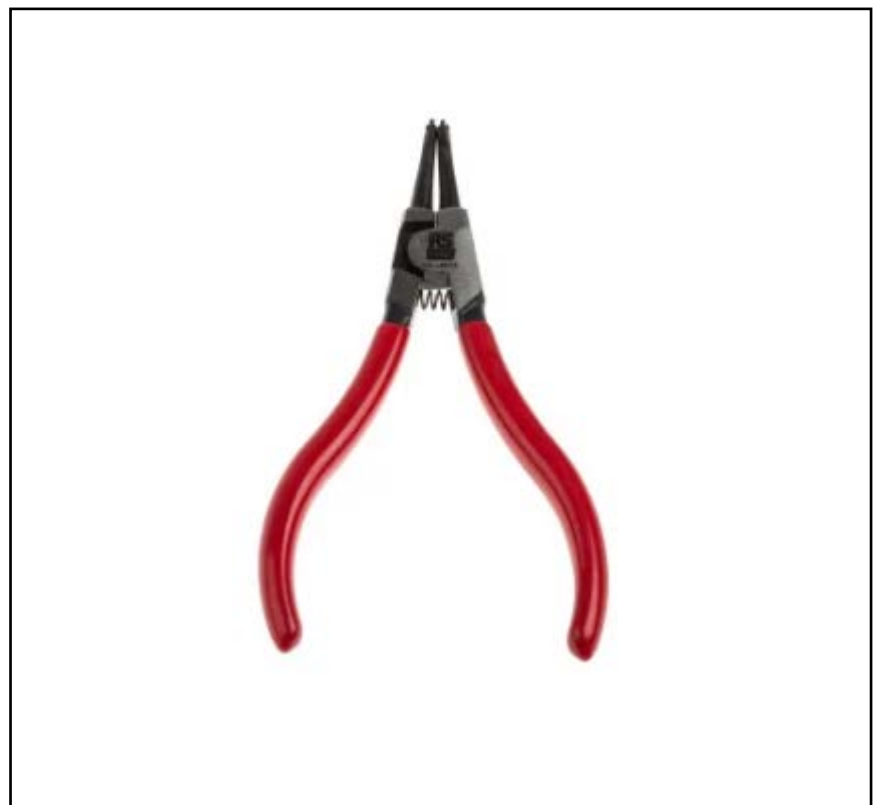


FEATURES

- Perfect for fitting and removing external circlips
- Phosphate finish providing strong corrosion protection
- PVC sleeves providing enhanced grip and control
- Chrome Vanadium Steel construction providing durability and long life
- Spring mechanism that assists with gripping circlips fitted externally

RS PRO 125mm Chrome Molybdenum Steel Circlip Pliers

RS Stock No.: 541-6848



RS Professionally Approved Products bring to you professional quality parts across all product categories. Our product range has been tested by engineers and provides a comparable quality to the leading brands without paying a premium price.

Product Description

Introducing external circlip pliers with bent tips from our trusted and reliable own brand RS PRO, a unique type of pliers used to install and remove external circlips from a range of appliances. These long-lasting RS PRO circlip pliers are made with a durable chrome vanadium steel that includes a phosphate finish, providing corrosion resistance properties and long life. The handles on the RS PRO circlip pliers include PVC coated sleeves for enhanced grip and control. The bent tips provide extra assistance when gripping circlips in awkward spaces and angles whilst making improving visibility for the user.

General Specifications

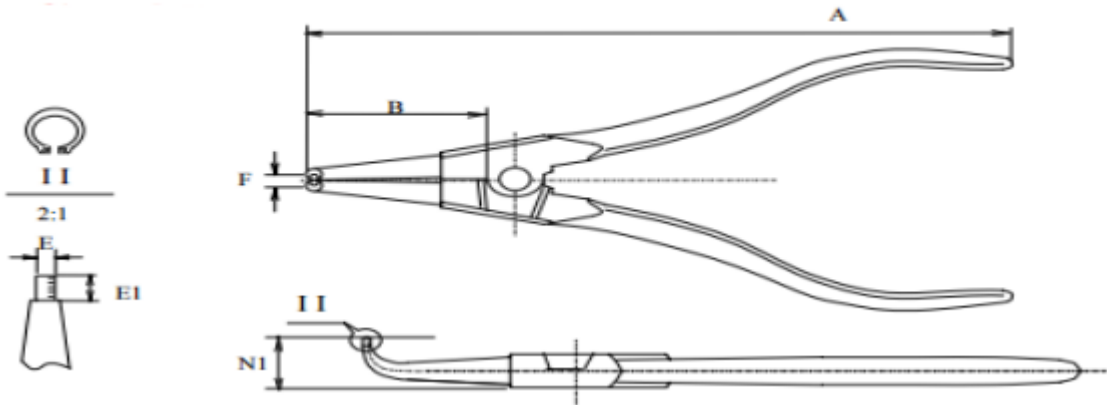
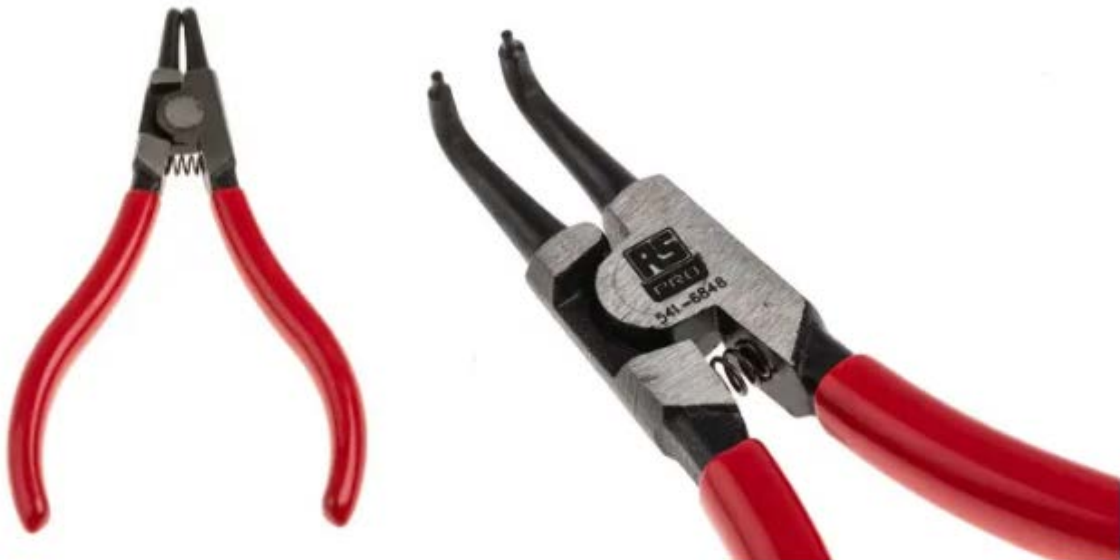
Plier Type	Circlip Pliers
Tip Style	Bent
Material	Chrome molybdenum steel for pliers, spring steel for automatic return function and vinyl dipping handles
Finish	Chemical black finish with polish main surface for pliers, red colour handle
Kit Content	1 pc - 5" (125 mm) external 90 bent type, small cylindrical tip circlip pliers with automatic return spring and red colour vinyl dipping grip
Applications	Vehicles, Bicycles, Blenders, Washing machines

Mechanical Specifications

Jaw Length	38mm
Overall Length	125mm
Diameter of Tip	1.3mm
Hardness	heat treated to HRC: 45~55 (circlip tip), HRC: 44~48 (handle) and HRC:30~48(joint)
Circlip Seal Ring Capacity	8mm to 25mm

Approvals

Compliance/Certifications	DIN A11
---------------------------	---------



Inspection item	Specification	Inspection tools
A mm	126±2	Kaliper
B mm	25+2	Kaliper
E mm	1.3±0.3	Kaliper
E1 mm	1.5±0.3	Kaliper
D max	(17.1)	Kaliper
N1 mm	14±2	Kaliper