

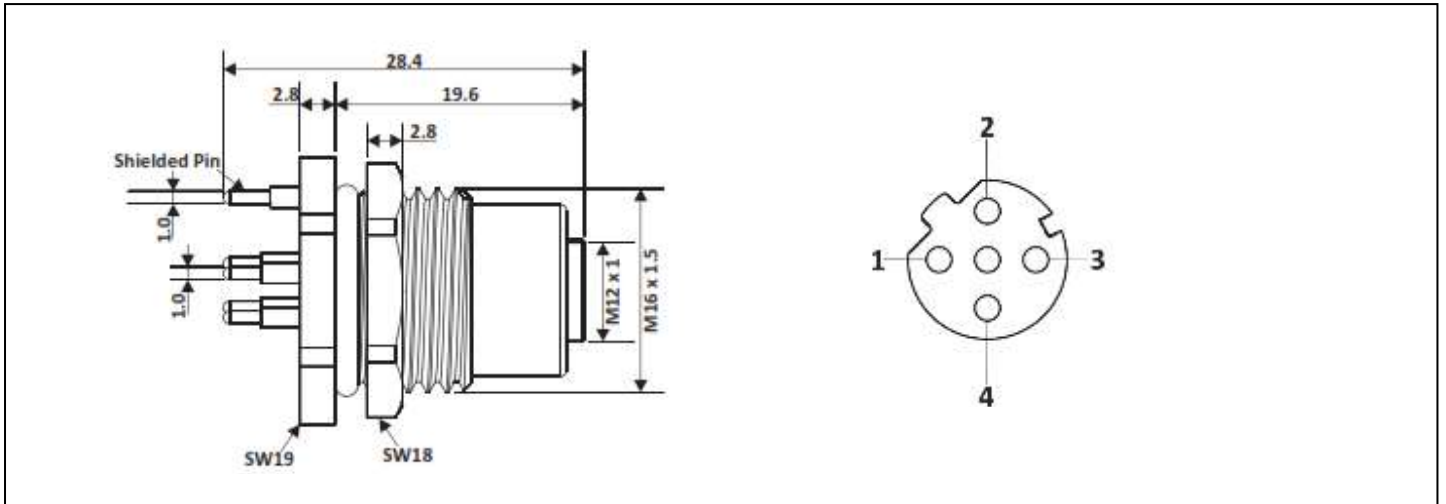
Datasheet

RS PRO M12 Female Rear Panel Mount 4 Pin Shielded D-Coded Connector

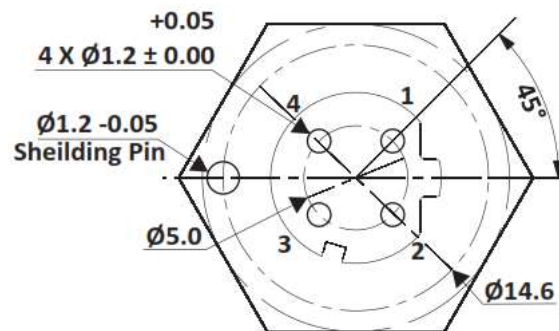
Part No: 2017199


Technical Specifications:

Rated Operational Voltage	250 V
Current Rating	4 A
Insulation Resistance	≥100 MΩ
Temperature Range	-25° ... +75°C
Coding	D-Coded
Degree of Protection	IP67
Housing Material	Brass Ni Plated
Contact	Cu-Zn
Contact Plating	Gold Flash
Contact Carrier	Nylon 66
O-ring	Neoprene
Pole	4
Clamp Nut	M16 x 1.5



PCB Layout:



Quality Standard: IEC 61076-2-101

