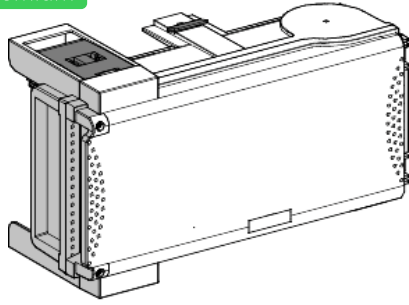


Product data sheet

Specifications



TAP OFF UNIT 25A FUSE E27

KSB25SD5

Main

Range of product	Canalis
Range compatibility	KT busbar trunking KS busbar trunking
Product or component type	Tap-off unit
Busbar trunking compatibility	Canalis KS busbar trunking plug-in Canalis KT busbar trunking with KS type plug-in
[Ie] rated operational current	25 A at 35 °C
Protection type	fuse isolator: Diazed fuse, size E27 conforming to DIN
Provided equipment	fuse to be ordered separately
Mounting mode	Plug-in with fixed polarity
Tap-off unit polarity	3L+PEN
Colour	White (RAL 9001)

Complementary

Device application	Medium power distribution
[Ue] rated operational voltage	230...690 V depending on protective device
[Uimp] rated impulse withstand voltage	6.8 kV
[Ui] rated insulation voltage	690 V depending on protective device
Network frequency	50/60 Hz
Electrical connection	Cable clamp terminal - ISO50 25 mm ² flexible Cable clamp terminal - ISO50 25 mm ² rigid
Door/Cover opening side	Right
Tap-off unit disconnection mode	By opening the door
Standards	IEC 61439-1 IEC 61439-6
Body material	Plastic
Width	356 mm
Depth	103 mm
Depth (door open)	432.5 mm
Height	167 mm
Net weight	2.4 kg

Environment

Earthing system	TN-C
IP degree of protection	IP55 conforming to IEC 60529
IK degree of protection	IK08 conforming to IEC 62262

Packing Units

Unit Type of Package 1	PCE
Number of Units in Package 1	1
Package 1 Weight	1.73 kg
Package 1 Height	16 cm
Package 1 width	20.3 cm
Package 1 Length	35.7 cm
Unit Type of Package 2	P12
Number of Units in Package 2	38
Package 2 Weight	103.0 kg
Package 2 Height	80 cm
Package 2 width	80 cm
Package 2 Length	120 cm

Offer Sustainability

Sustainable offer status	Green Premium product
REACH Regulation	REACH Declaration
REACH free of SVHC	Yes
EU RoHS Directive	Compliant EU RoHS Declaration
Mercury free	Yes
RoHS exemption information	Yes
China RoHS Regulation	China RoHS declaration Product out of China RoHS scope. Substance declaration for your information
Environmental Disclosure	Product Environmental Profile
WEEE	The product must be disposed on European Union markets following specific waste collection and never end up in rubbish bins
Halogen content performance	Halogen free product

Contractual warranty

Warranty	18 months
----------	-----------