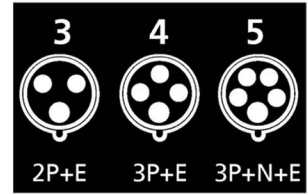
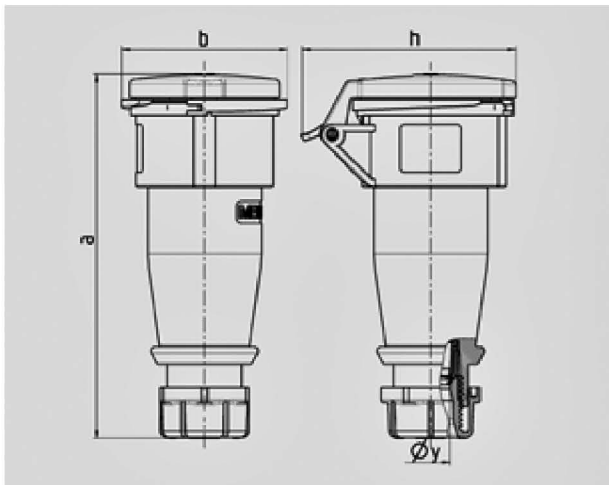


**Connector AM-TOP® - Part no. 526**



- screw terminals
- single part body
- cable gland and sealing
- strain relief and protection against kinking

Protection type IP 44  
 Ampere 32A  
 Poles 4p  
 Voltage 400V  
 Hertz 50-60Hz  
 Earth position 6h  
 Contact standard  
 Connection technology Screw terminals



Drawing	Amp.	16			32		
		3	4	5	3	4	5
<b>3 MB 63</b>	<b>Poles</b>						
<b>Dim. in mm</b>	<b>a</b>	162	165	167	209	209	208
	<b>b</b>	60	68	76	82	82	89
	<b>h</b>	83	92	98	100	100	108
	<b>y</b>	14,5	16	16	22	22	22
<b>Terminal for cond. cross</b>		1	1	1	2,5	2,5	2,5
<b>section (mm²) min.-max.</b>		-2,5	-2,5	-2,5	-6	-6	-6

