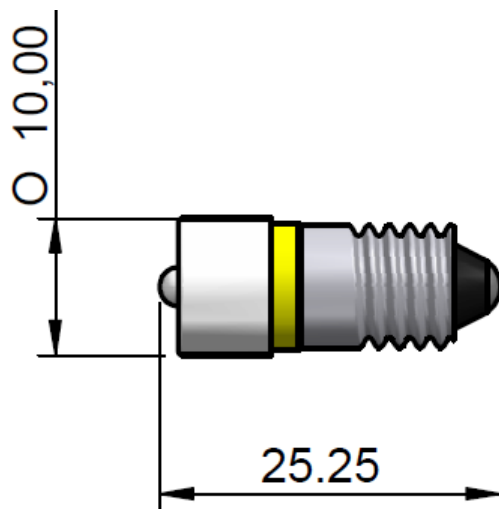


Datasheet

LED Indicator Lamp

RS Stock number 205-151

Dimensions (mm):



Specifications:

| | | | | | |
|------------------|----------------|--------------------------|----------------------|-----------|---------------|
| LED/Multiled | <i>LED</i> | Optimum voltage (V) | <i>6Vac/dc</i> | Intensity | <i>630mcd</i> |
| Mounting Size | <i>10x25mm</i> | Rectifier | <i>Half Wave</i> | | |
| Mounting Finish | | AC current | <i>9mA</i> | | |
| Protection | <i>-</i> | DC current | <i>17mA (max)</i> | | |
| Mount Holder | <i>E10</i> | Voltage Tolerance (%) | <i>10%</i> | | |
| Chip Qty | <i>1</i> | Optimum temperature (°C) | <i>-30°C...+60°C</i> | | |
| Indicator colour | <i>Yellow</i> | Storage temperature (°C) | <i>-30°C...+60°C</i> | | |
| Wavelength (nm) | <i>587</i> | Contact Tab | <i>E10 Cap</i> | | |