

FEATURES

- Full port 1/4" to 3" (DN8 to DN80)
- Investment casting
- Blow-out proof stem
- Locking device
- ISO 5211 Mounting pad

RS PRO Stainless Steel High Pressure Ball Valve 1-1/4 in BSP 2 Way

RS Stock No.: 764-4266



RS Professionally Approved Products bring to you professional quality parts across all product categories. Our product range has been tested by engineers and provides a comparable quality to the leading brands without paying a premium price.

Product Description

RS PRO range of manual ball valves designed for industrial applications. Manual ball valves are used to operate shut off valves which control water flow and pressure.

RS Stainless Steel Screwed End Ball Valves for the control of flow. Available in a variety of sizes:

- 764-4256 - 1/4 inch Ball Valve BSPP F-F
- 764-4250 - 1/2 inch Ball Valve BSPP F-F
- 764-4269 - 3/4 inch Ball Valve BSPP F-F
- 764-4262 - 1 inch Ball Valve BSPP F-F
- 746-4266 - 1-1/4 inch Ball Valve BSPP F-F
- 764-4275 - 1-1/2 inch Ball Valve BSPP F-F
- 764-4278 - 2 inch ball Valve BSPP F-F

General Specifications

Threaded Connection	1-1/4 in BSPP
Attachment Type	Threaded
Body Material	ASTM A351-CF8M
Thread Size	1-1/4in
Safe For Use With	Gas, Oil, Water
Ball Material	ASTM A351-CF8M
Thread Standard	BSPP
Handle Material	AISI 304
Type	Full Port
Application	Heating systems; Water treatment; Liquid flow control

Mechanical Specifications

Connection Size	32mm
------------------------	------

Operation Environment Specifications

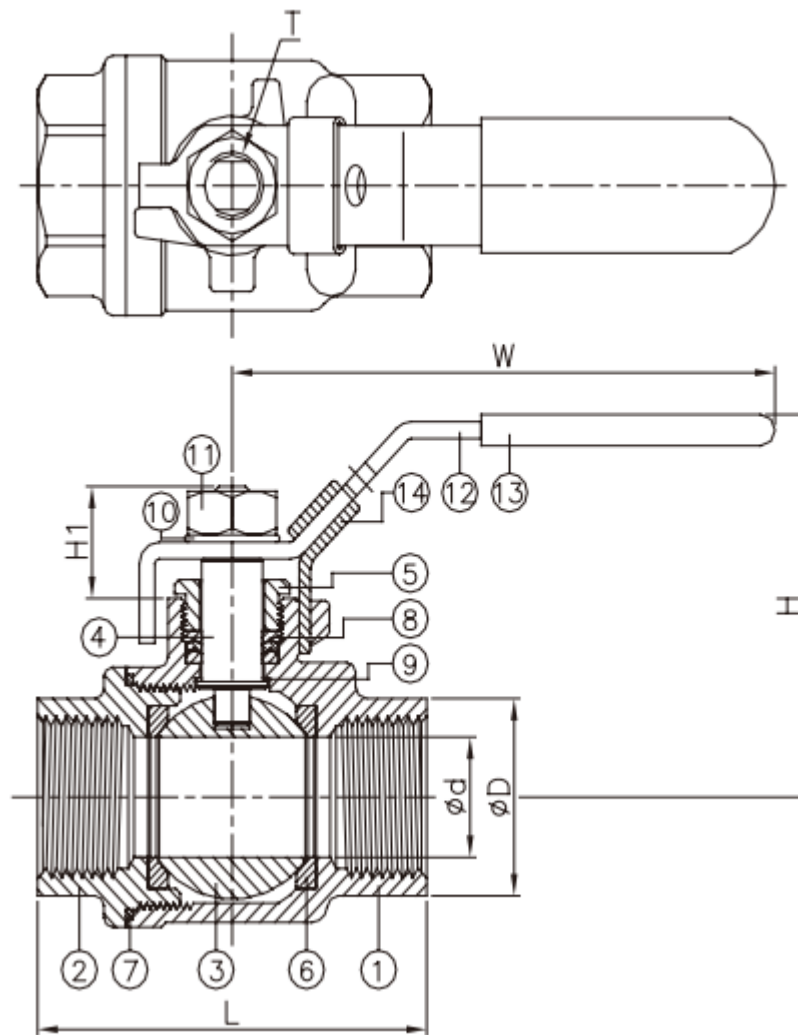
Working Temperature	-20°C to 200°C
Maximum Working Pressure	1000 psi

Approvals

Compliance/Certifications	ISO-5211
---------------------------	----------







ITEM	PARTS	MATERIAL
1	BODY	ASTM A351-CF8M ASTM A216-WCB
2	CAP	
3	BALL	ASTM A351-CF8M
4	STEM	ASTM A276-316
5	GLAND	AISI 304
6	SEAT	PTFE / RTFE
7	SEAL	PTFE
8	PACKING	
9	THRUST WASHER	
10	SPRING WASHER	AISI 304
11	NUT	
12	HANDLE	PVC
13	HANDLE SLEEVE	
14	LOCKING DEVICE	AISI 304

DN	d	D	L	H	H1	T	W	Torque (N-m)	Weight (kg)
8	11.6	19	50.8	58.5	18	3/8"-24UNF	100	3.5	0.2
10	12.5	22.5	50.8	58.5	18	3/8"-24UNF	100	4	0.2
15	15	26	58	58.5	18.5	3/8"-24UNF	100	5.5	0.3
20	20	32	65.6	63.5	22.5	7/16"-20UNF	125	7.5	0.5
25	25	38	78.7	78	25	7/16"-20UNF	149	11	0.8
32	32	48	90	83	26	7/16"-20UNF	149	15	1.1
40	38	54.8	105	102	30	1/2"-20UNF	190	20	1.8
50	50	67	124	108	30	1/2"-20UNF	190	40	2.7
65	63	85	146	138	40	3/4"-10UNF	250	60	5.6
80	76	100	164	146	40	3/4"-10UNF	250	85	7.5

unit:mm

NPS	d	D	L	H	H1	T	W	Torque (in-lb)	Weight (lb)
1/4"	0.46	0.75	2	2.3	0.71	3/8"-24UNF	3.94	31	0.5
3/8"	0.49	0.89	2	2.3	0.71	3/8"-24UNF	3.94	35.4	0.5
1/2"	0.59	1.02	2.28	2.3	0.73	3/8"-24UNF	3.94	48.7	0.7
3/4"	0.79	1.26	2.58	2.5	0.89	7/16"-20UNF	4.92	66.4	1
1"	0.98	1.5	3.1	3.07	0.98	7/16"-20UNF	5.87	97.4	1.7
1-1/4"	1.26	1.89	3.54	3.27	1.02	7/16"-20UNF	5.87	132.8	2.5
1-1/2"	1.5	2.16	4.13	4.02	1.18	1/2"-20UNF	7.48	177	3.9
2"	1.97	2.64	4.88	4.25	1.18	1/2"-20UNF	7.48	354	5.9
2-1/2"	2.48	3.35	5.75	5.43	1.57	3/4"-10UNF	9.84	531	12.4
3"	2.99	3.94	6.46	5.75	1.57	3/4"-10UNF	9.84	752.3	16.5