



Datasheet

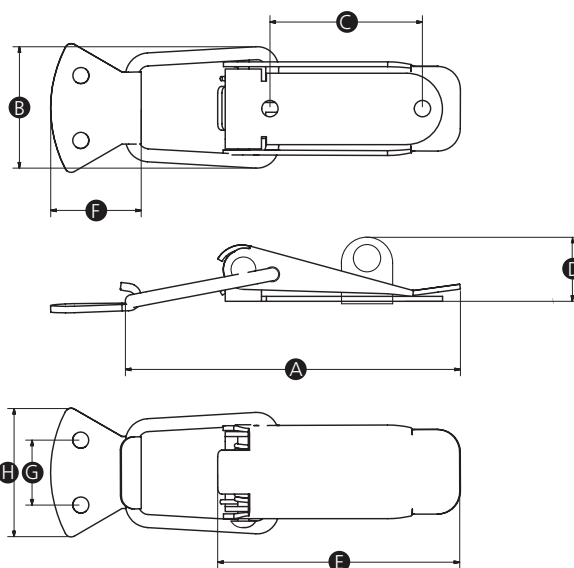
RS PRO Stainless steel toggle latch with hole for lock, 90mm length

Stock number: 1929629

EN



- Stainless steel (304) sprung toggle latch
- With hole for padlock
- Complete with catchplate



| Part No. | A | B | C | D | E | F | G | H | Base hole size | Hook hole size | Locking hole size | Max load (N) |
|----------|----|----|----|----|----|----|----|----|----------------|----------------|-------------------|--------------|
| 1929629 | 90 | 36 | 41 | 17 | 65 | 26 | 17 | 38 | 5 | 4 | 5.5 | 600 |