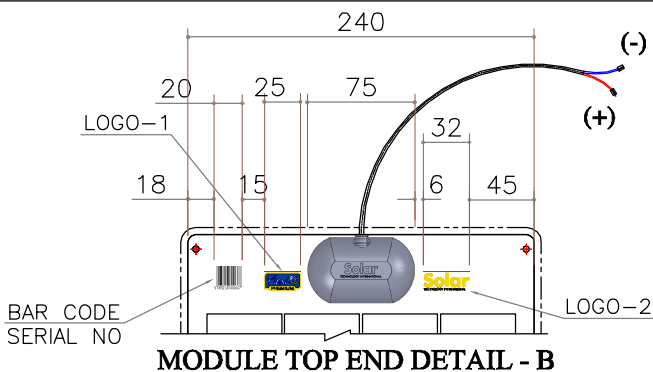
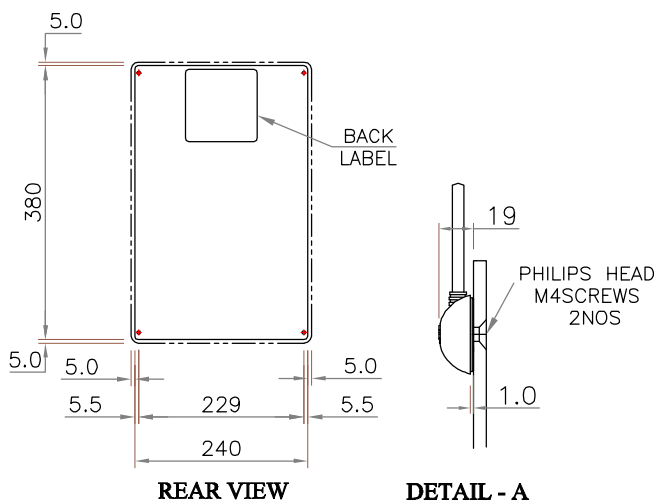
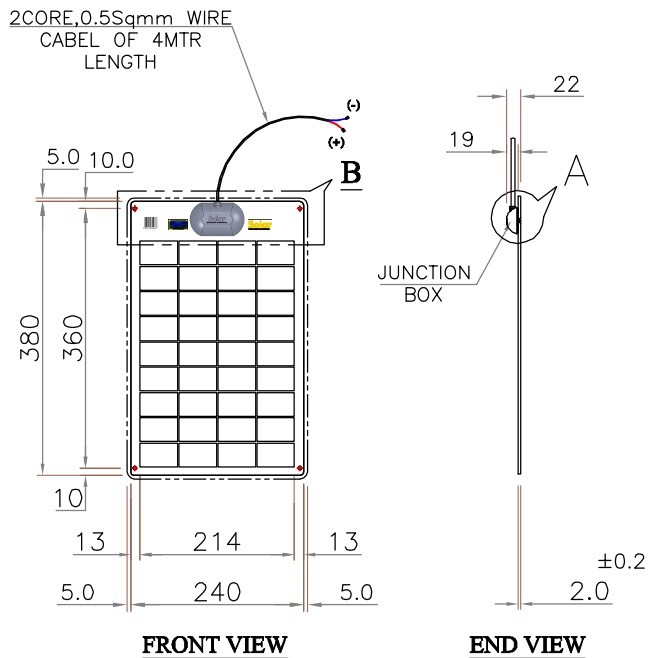


# Datasheet

## SOLAR LAMINATE 9046159

Part No 9046159+ 250 x 390 x 22.0mm



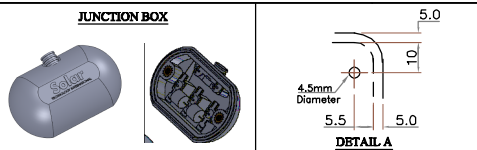
**NOTE :**

2 Years Panel warranty.

**LIMITED PEAK POWER WARRANTY**

- (i) 90% of minimum peak power at STC in 2 Years.
- (ii) 85% of minimum peak power at STC in 5Years.

<b>MODEL NAME : 9046159 / 10W - 12V Flexi</b>			
<b>ELECTRICAL PARAMETERS</b>			
MAXIMUM POWER RATING	Pmax	[Wp]	10 W
Current at max power	I max	[A]	0.56
Voltage at max power	V max	[V]	18.0
Short circuit current	Isc	[A]	0.61
Open circuit voltage	Voc	[V]	21.6
Tolerance on power output			+/- 6.0 %
Module Efficiency			10.96 %
Maximum system voltage			750V
<b>CELL SPECIFICATION</b>			MULTI Crystalline Si cells
Cell Efficiency			16.02 %
Number of cells			36 Nos
<b>JUNCTION BOX</b>			UPV J.BOX
Number of Diodes [ Blocking diode ]			1 NO
<b>MODULE WEIGHT</b>			0.56 Kg ~
<b>THERMAL PARAMETERS</b>			
NOCT		[ °C ]	45 ± 2
Temp . Coefficient - Short circuit Current [ A ]			1.2mA /°C
Temp . Coefficient - Open circuit Voltage [ V ]			-2.22 mV/°C / Cell
1. Wp (Watt peak) = Peak Power Air Mass AM = 1.5 Irradiance E = 1000W/m <sup>2</sup> Cell Temperature Tc = 25°C			
2. Normal operating Cell Temperature at : Irradiance E = 800W/m <sup>2</sup> Cell temperature Tu 20°C Wind speed Vw = 1 m/s			
3. Diagonal lifting of module plane Per IEC 61215 Test requirements			
4. Temperature Range = - 40° C to + 80°C			



**SOLAR MODULE LAYUP VIEW**

