

Datasheet

RS Pro Ceramic Tube Fuse, 63A, 14.6 x 38.5mm

Stock No: 1884495,1884659



Specifications:

Materials

Tube (Body): Non-Transparent ceramic tube. Breaking or deformation is not allowed.

Two brass end caps: Made of brass of good conductivity.

Coating of brass caps: Plating the surface with nickel.

Interrupting Ratings

1500 amperes at 600V AC

2000 amperes at 250V AC

500 amperes at 125V DC

Operating Temperature

-55°C to +125°C

Drawing (mm):

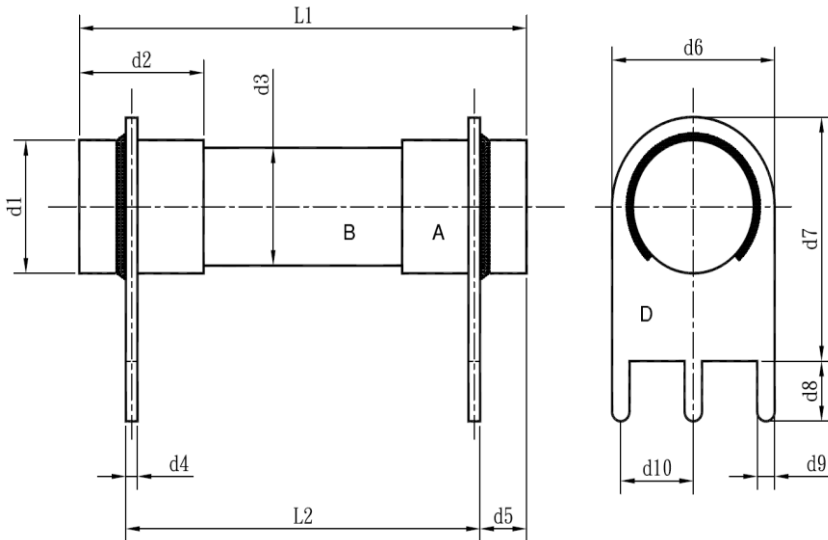
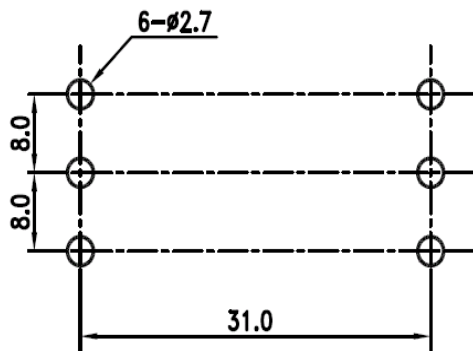


Table I unit: mm

d1	d2	d3	d4	d5	d6
14.6±0.2	10.7±0.1	13.4±0.5	1.0±0.1	4.0(max)	18.0±0.3
d7	d8	d9	d10	L1	L2
23.0±0.5	4.7±0.3	2.0±0.2	8.0±0.2	38.5±1.0	32.0±0.5

Recommend Circuit Board distance



NO.	Part Name		Volume
A	Brass Cap	Nickel Plating	2
B	Ceramic Tube	Non-Transparent Ceramic Tube	1
C	Fuse Element		1
D	Terminal	Copper (Tin plating)	2

Electrical Characteristic:

100% Rating			200% Rating	
Rating	Min.	Max.	Min.	Max.
63A	4 Hrs			120 sec

		Nominal Resistance	Nominal Melting I ² t
		Cold Ohms	A ² Sec
63	A	0.907~1.68mΩ	9892.953

Reference:

Stock No	Rating amperes
1884495	63A 600V
1884659	63A 600V