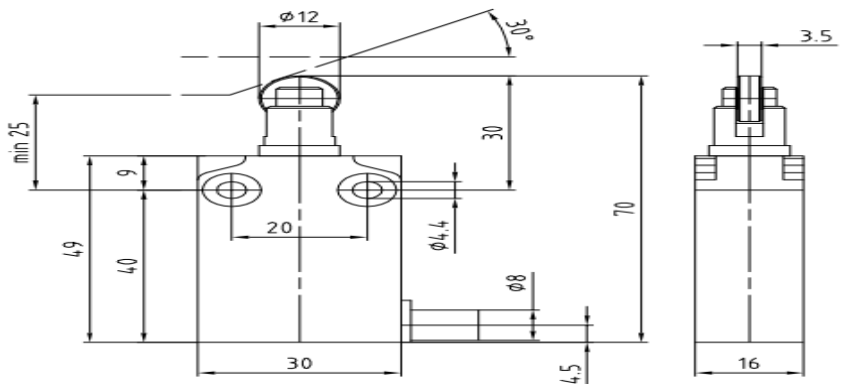
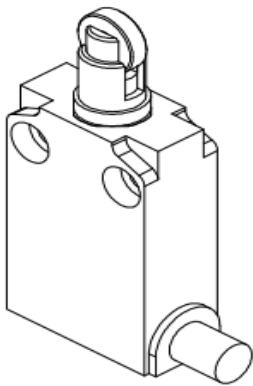




Datasheet Limit Switch

ENGLISH

RS Stock number 902-6929



Description:

- Pre-wired, Metal Casing IP67, 30mm width
- PVC Cable 5x0.75mm², 1mt length
- Metal roller plunger
- Z : Snap action contacts (1NO+1NC)

Specification:

Standards		Metal Casing	
Certifications - Approvals		Devices conform with international IEC 947-5-1 and European EN 60 947-5-1 standards	
Air temperature near the device		UL (upon request) - IMQ	
- during operation	°C	- 25 ... + 70	
- for storage	°C	- 40 ... + 70	
Mounting positions		All positions are authorized	
Protection against electrical shocks (according to IEC 536)		Class I	
Degree of protection (according to IEC 529 and EN 60 529)		IP 67	
Degree of protection (according to UL50)		Type 4 - 4X - 6 enclosure ("outdoor use - raintight - watertight corrosion resistant")	
Rated insulation voltage U _i		400 V (degree of pollution 3) (250 V for M12 connector) B 300, R 300	
- according to IEC 947-1 and EN 60-947-1			
- according to UL 508 and CSA C22-2 n° 14			
Conventional free air thermal current I _{th}	A	10 (4A for M12 connector)	
(according to IEC 947-5-1 and EN 60 947-5-1) θ < 40 °C			
Short-circuit protection	A	10 (4A for M12 connector)	
U _e < 500 V a.c. - gG (gl) type fuses			
Rated operational current			
I _e / AC-15 (according to IEC 947-5-1)	24 V - 50/60 Hz	A	10 (4A for M12 connector)
	240 V - 50/60 Hz	A	3
I _e / DC-13 (according to IEC 947-5-1)	24 V - d.c.	A	2.8
	125 V - d.c.	A	0.22
	250 V - d.c.	A	0.27
Switching frequency	Cycles/h		3600
Load factor			0.5
Resistance between contacts	mΩ		< 25
Mechanical durability			10 Millions of operations

For the complete list of approved products contact our technical department.

IMQ listed values

RS, Professionally Approved Products, gives you professional quality parts across all products categories. Our range has been testified by engineers as giving comparable quality to that of the leading brands without paying a premium price.