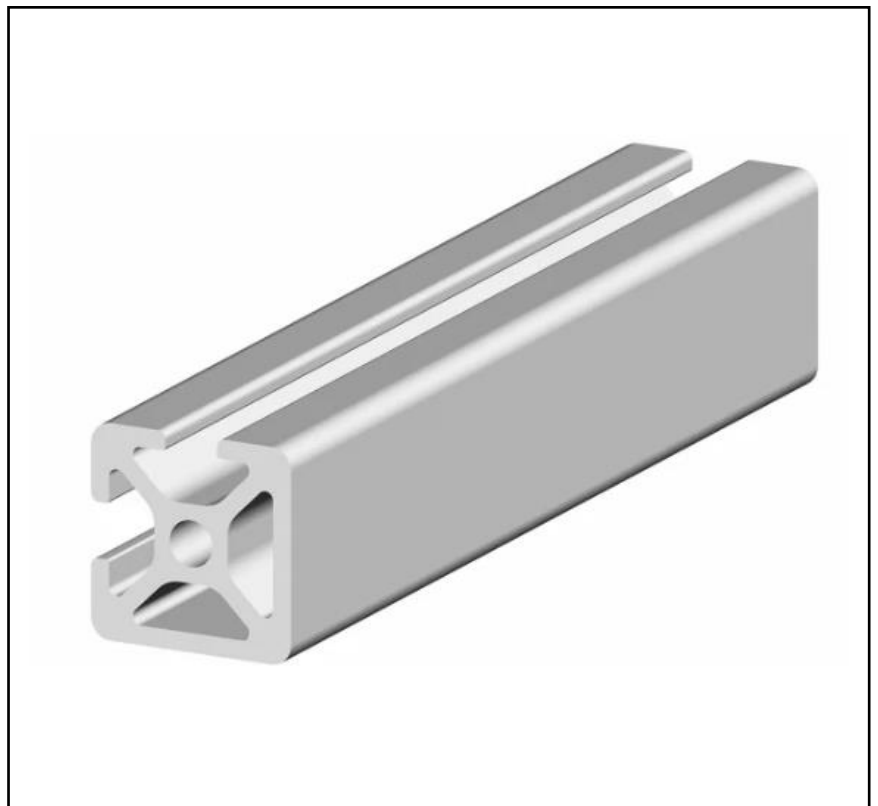


Features

- Light-weight aluminium alloy
- Suitable for cut to length applications
- Multiple profile sizes for a range of applications
- Compatible with support and connector accessories
- Groove size: 8mm
- Number of grooves: 4 & 2
- Structural element type: Strut profile

RS PRO Tubing and Profile Struts

RS Stock No.: 187-3274



RS PRO Professionally Approved Products bring to you professional quality parts across all product categories. Our product range has been tested by engineers and provides a comparable quality to the leading brands without paying a premium price.

Product Description

RS PRO structural systems offer a modular solution for general workplace furniture construction. Offering strong, light-weight, easily interchangeable components in a variety of profile types. The modular system offers alloy struts available in 1m, 2m and 3m lengths with profiles from 20mm to 80mm. Compatible with a range of structural support and connector accessories, work benches, guarding and general enclosures, as well as many other workplace fixtures, are easy to construct and adapt to almost any application.

General Specifications

No. of slots	2
Material	Anodized Aluminium
Moment of inertia	Ix 0.82 cm ⁴ Iy 0.82 cm ⁴
Section modulus	Wx 0.79 cm ³ Wy 0.79 cm ³
EN AW - 6063 T6	DIN EN 573
Tolerances	DIN EN 12020-2
Anodizing process	E6 C0

Mechanical Specifications

Profile	20mm x 20mm
Slot size	5mm
Profile length	1000mm
Mass	G 0.53 kg/m

