

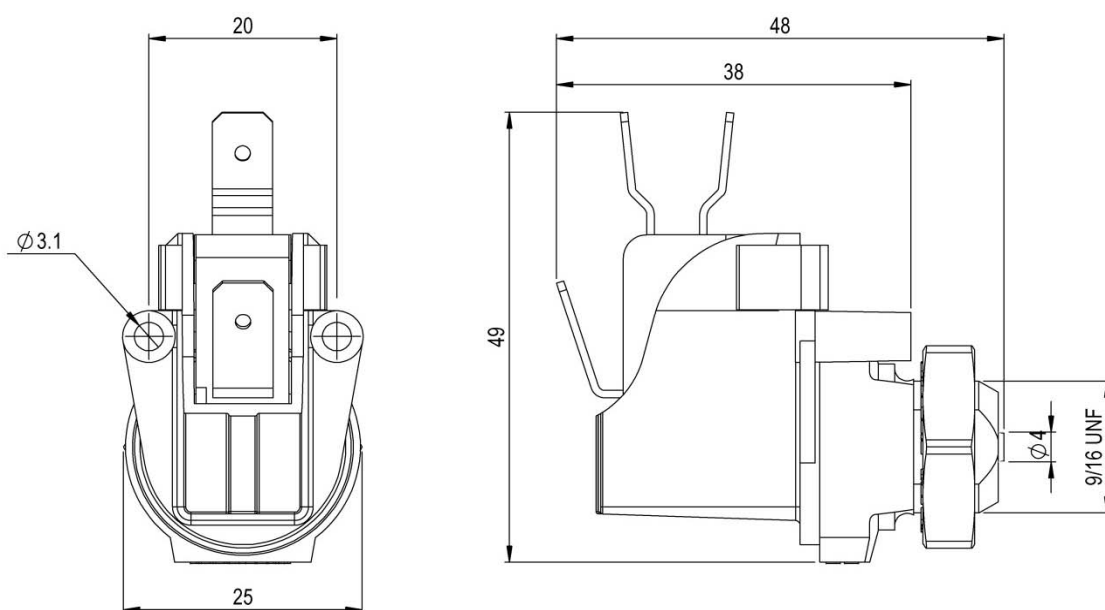


Datasheet

ENGLISH

SPCO Through Panel Latching Air Switch

RS Stock No. 319-736



FEATURES:

- Single pole latching changeover switch
- Electrical rating 16A 250V AC
- Back entry 4mm spout
- Use with 3mm I/D tubing