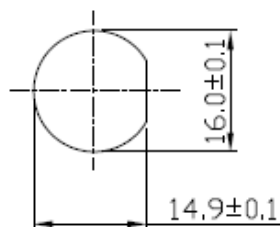
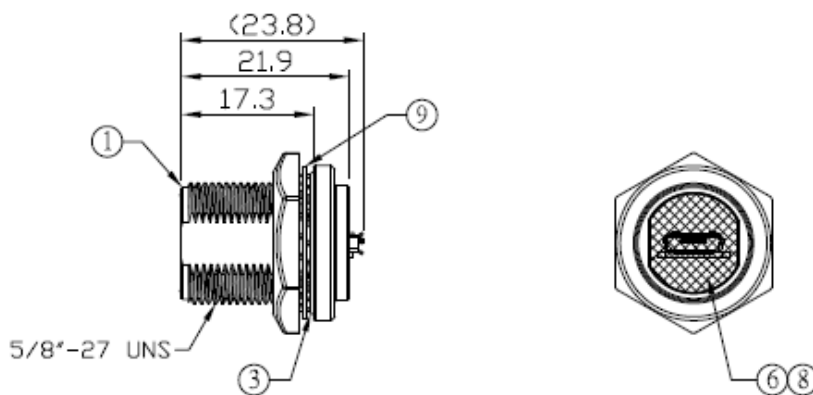
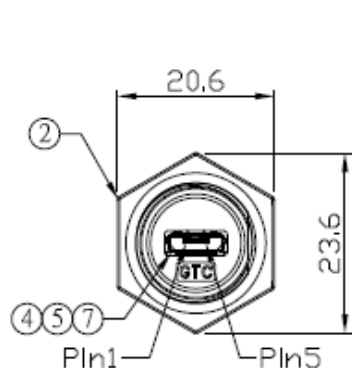


# Datasheet

## RS Pro USB Micro to USB Micro Network Adapter

RS Stock No: 122-3020



Front View  
Recommend  
Panel Cut-Out

9	Metal Washer	Stainless Finish: —	1
8	Glue	Epoxy Color: Black	
7	EMI Shielded Plate	Copper Alloy Finish: Ni Plated	1
6	Molding	PVC Color: Black	1
5	PCB	FR-4 Color: —	1
4	Micro USB-AB Receptacle	Housing: Thermoplastic, Color: Black Contacts: Copper Alloy, Finish: Au Plated Shell: Copper Alloy, Finish: Ni Plated	2
3	O-Ring	Silicone Color: Red	1
2	Hex Nut	Zn Alloy Finish: Ni Plated	1
1	Housing	Zn Alloy Finish: Ni Plated	1
Item	Part Name	Material / Finish	Q'ty

Notes: (Unless Otherwise Specified)

1. Waterproof Rate: IP68.
2. Recommend Panel Thickness: 0.8 to 8.0 mm.
3. Recommend Torque: 19~20 kgf-cm.
4. Mat'g Cap P/N: GT1C5231X2/GT2C1230X2.
5. RoHS Compliant.