

FEATURES

- 10 mm coloured diffused epoxy style lens, 16 mm chrome bezel
- Various voltages
- Tri-colour options
- 4 Colours available: Red, yellow, orange and green

RS PRO Red Indicator, 24 V dc, 14mm Mounting Hole Size, Solder Tab Termination

RS Stock No.: 210-866



RS Professionally Approved Products bring to you professional quality parts across all product categories. Our product range has been tested by engineers and provides a comparable quality to the leading brands without paying a premium price.

Product Description

From RS Pro, a range of high quality LED indicators. Each indicator has a compact and robust build, complete with a solder tab termination. The ease and quickness of the installation process ensures these LED indicators are perfect for your application. With various LED colours available, including tri-colour options, the possibilities are endless. Whether the intended application is a signal, warning or purely a display, there are choices to suit all outcomes. All models are highly reliable and excellent quality.

General Specifications

Light Output Colour	Red
Lamp Type	LED
Termination Type	Tab
Type	Panel Mount
Bezel Style	Prominent
Bezel Colour	Chrome
Intensity	80mcd
Type Of Illumination	Fixed Light
LED Colour	Red
Viewing Angle	30° to 100°
Life Expectancy	100000hours
Applications	Fixed to PCB circuit boards mounted; Switches; Pushbuttons; Used as vehicle indicators

Electrical Specifications

Voltage Rating	24V dc
Current Rating	20mA
Voltage Tolerance	10%

Mechanical Specifications

Mounting Hole Size	14mm
Length	47mm
Torque	75cNm
Lamp Size	10mm

Operation Environment Specifications

Temperature Rating	-40°C to 85°C
--------------------	---------------

Protection Category

IP Rating	IP67
-----------	------

Approvals

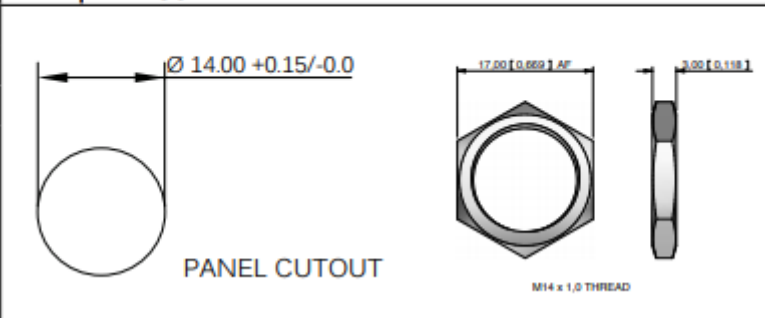
Compliance/Certifications	EN61340
---------------------------	---------



TECHNICAL SPECIFICATIONS		
Voltage	Operating Voltage (Min to Max)	Operating Current (Typical All Types)
02 (No Resistor)	1.8 to 3.3VDC	20mA max*
6VDC	5.4 to 6.6VDC	20mA
12VDC	10.8 to 13.2VDC	20mA
24VDC	21.6 to 26.4VDC	20mA
28VDC	25.2 to 30.8VDC	20mA
110VAC	99 to 121VAC	6mA
220VAC	207 to 253VAC	3mA

For DC Supply versions: gold colored contact is Anode (+)

Max Reverse Voltage: 5V
Viewing Angle: 30–100° (dependant on model)
Life Expectancy: 100,000 hours
Temperature Range: –40 to +85°C (operating & storage)
Torque: 75cNm



Standard LED Intensity	Prominent and Recessed	Flush	Forward Voltage
HE Red	80mcd	10mcd	2.0V
Green	60mcd	5mcd	2.2V
Yellow	50mcd	4mcd	2.1V
Blue	540mcd	100mcd	3.3V
White	1000mcd	150mcd	3.3V
Orange	80mcd	200mcd	2.0V
Bi-color (Typical) (Red/Green)	15/15mcd	14/10mcd	2.0V/2.2V
Tri-color (Typical) (Red/Green/Yellow)	60/50/50mcd	15/10/30mcd	2.0V/2.2V/2.1V

Bi-color - The color is changed by reversing the polarity of the supply voltage.

Tri-color - The indicator has red and green LEDs, when both connected yellow is produced.

Super Bright LED	Prominent and Recessed	Flush	Forward Voltage
HE Red	17,000mcd	2,000mcd	2.2V
Green	11,000mcd	680mcd	3.5V
Yellow	4,000mcd	350mcd	2.3V
Blue	2,500mcd	250mcd	3.3V
White	4,400mcd	250mcd	3.3V
Orange	2800mcd	300mcd	2.1V

Hyper Bright LED	Prominent and Recessed	Flush	Forward Voltage
HE Red	2,800mcd	800mcd	2.1V
Green	2,200mcd	250mcd	3.2V
Yellow	1,300mcd	250mcd	2.0V
Orange	850mcd	200mcd	2.1V

Luminous intensity will be reduced with lower operating current.

PROMINENT BEZEL

