

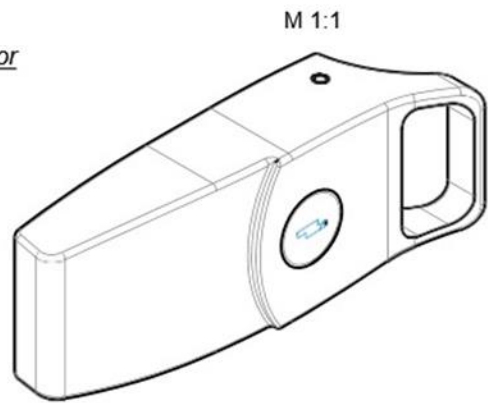
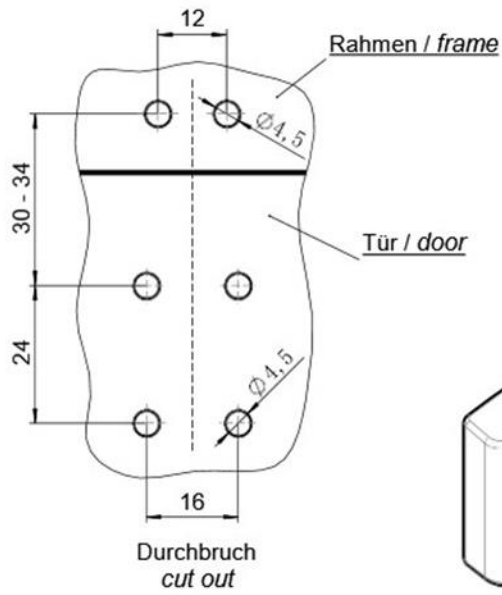
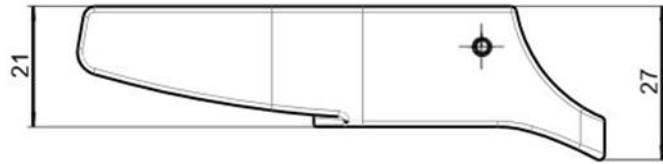
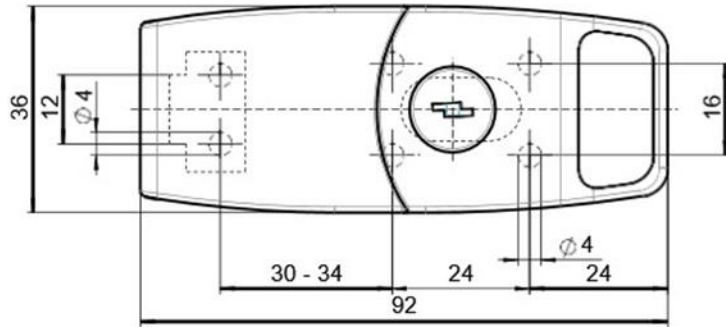
Datasheet

RS Pro Lockable Toggle Latch 92mm x 36mm x 27mm

RS Stock No: 136-3620



- Aesthetically pleasing design.
- Body manufactured in black polyester powder coated zinc alloy.
- Concealed striker plate made from AISI305 stainless steel.
- Lockable - keyed alike. Supplied with two keys.
- Riveted construction and AISI305 stainless steel hidden internal components enhances tamper resistance.
- Suitable for external as well as interior applications.
- Spring loaded keyway shutter helps prevent ingress of water.
- The body is spring loaded so it lies flat when unlatched minimising the likelihood of damage to the latch or passers-by.
- Size: 92mm x 36mm x 27mm high.
- Weight: 0.358 Kg.



black powder coated
schwarz beschichtet