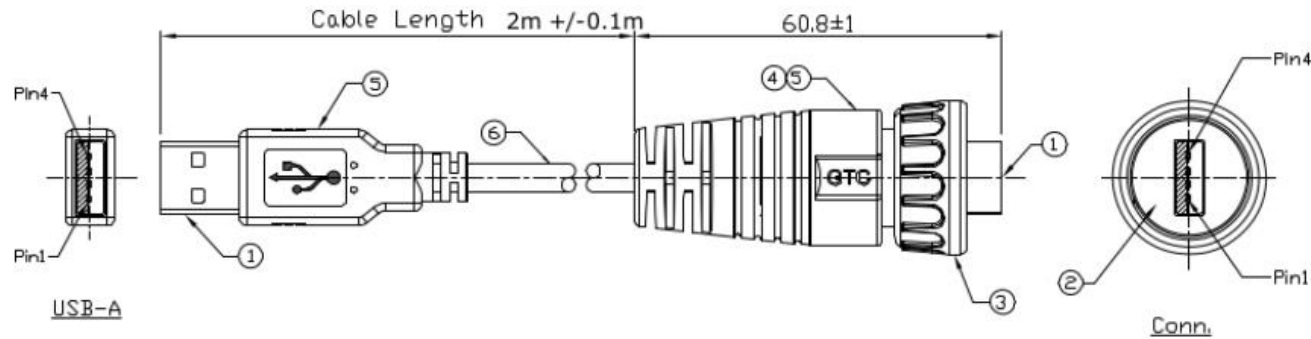




Notes: (Unless Otherwise Specified)
 1. Waterproof Rate: IP67.
 2. RoHS Compliant.

REV	ECN#	DESCRIPTION OF REVISION	DRAW BY DATE	CHECK BY DATE	APPROVE BY DATE
A0		Mass Production	Hank 04/17/14	Roy 04/17/14	Roy 04/17/14



6	Cable	UL2725 IP*28AWG+2C*24AWG+AI/Ny+I+I Color: Black, OD=5.0mm	1
5	Over Mold	PVC Color: Black	2
4	Inner Mold	Thermoplastic Color: Black Or White	1
3	Screw Nut	Thermoplastic Color: Black	1
2	Rubber Pad	Silicone Color: Black	1
1	USB-A Plug	Housing: Thermoplastic, Color: Black Contacts: Copper Alloy, Finish: Au Plated Shell: Cold Roll Steel, Finish: Ni Plated	2
Item	Part Name	Material / Finish	Qty



Mating Parts:
 111-6759
 111-6760
 111-6761

Wiring Diagram

TITLE						REV.			
USB-A Plastic C3 Cable End Plug Screw With USB-A Plug						A0			
 THIRD ANGLE PROJECTION		B	1:1	Hank 04/17/14	Roy 04/17/14	Roy 04/17/14	XX ± 0.5 XXX ± 0.2 X.XXX ± 0.05 ANGLES ± 1°	mm	1/1
SIZE	SCALE	DRAW / DATE	CHECK / DATE	APPROVE / DATE	TOLERANCES	UNIT	SHEET		

RS Stock No
 111-6758