

FEATURES

- Tough brass body and lock cylinder
- Pin tumbler structure
- Different sizes of lock body and shackle for different choices
- High precision key

RS PRO All Weather Brass Padlock 30mm

RS Stock No.: 781-5997



RS Professionally Approved Products bring to you professional quality parts across all product categories. Our product range has been tested by engineers and provides a comparable quality to the leading brands without paying a premium price.

Product Description

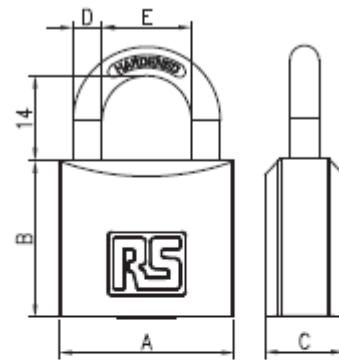
From RS PRO, comes a range of high strength all weather padlock. Manufactured out of a high-quality brass this padlock is perfectly designed and suited for all types of outdoor and weather environments making it a fantastic security solution.

General Specifications

Lock Type	Key
Material	Brass
Keyed Alike	No
Indoor/Outdoor	Indoor, Outdoor
Weather Proof	Yes
Colour	Brass
Shackle Type	Open
Quantity Per Package	1
Body Shape	Square
Applications	Lockers, Luggage, Sheds, Toolboxes, Gates, Storage safes

Mechanical Specifications

Shackle Length	14mm
Body Width	30mm
Shackle Diameter	5mm
Body Thickness	13mm



Item	Lock Body Dimension(mm)		
	A	B	C
7815997	30	27	13

Shackle Dimension(mm)		
D	E	F
5	15	14