

# Datasheet

## s.93 downstream exhaust

### full port ¼"-2" hot forged brass ball valves



#### Quality:

- No metal-to-metal moving parts
- Handle clearly shows ball position
- Silicone-free lubricant on all seals
- Chrome plated brass ball for longer life
- Travel stops on body to avoid stresses at stem

#### Body:

- Hot forged sand blasted, external nickel plated brass body and cap sealed with Loctite® or equivalent threads sealant
- The valve body includes a tapped downstream depressurization venting outlet to direct exhaust air and assemble mufflers for noise control
- Finest brass according to EN 12165 and EN 12164 (formerly DIN 17660 and UNI 5705-65) specifications

#### Stem:

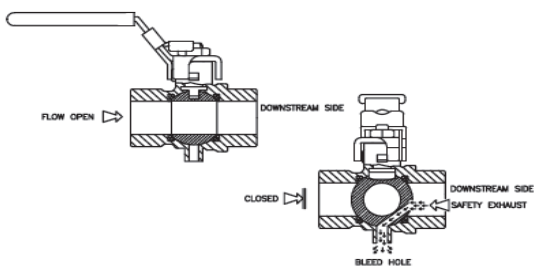
- Blowout-proof nickel plated brass stem
- Two FPM O-rings at the stem for maximum safety

#### Seals:

- Molybdenum filled PTFE self-lubricating seats with flexible-lip design

#### PED Directives:

- The product meets the requirements of PED Directive 97/23 and according to art.3 par.3, it does not require CE marking



#### Threads:

- EN 10226-1, ISO 228 parallel female by female threads

#### Flow:

- Full port to DIN 3357 for maximum flow

#### Handle:

- Geomet® carbon steel lockable handle patent n. 7074-B/90 with thick PVC dip coating. Handle coating offers both thermal and electrical protection
- Handle removable with valve in service

#### Working Pressure:

- 14 Bar (200 PSI)
- non-shock cold working pressure

#### Working Temperature:

- -10°C (+15°F) / +100°C (+210°F)
- Warning: freezing of the fluid in the installation may severely damage the valve

#### Options:

- AISI 430 stainless steel handle
- Non-locking Geomet® carbon steel lever handle
- ISO 7/1 BSPT Taper threads
- NPT taper ANSI B.1.20.1 threads
- Safety pin
- Muffler, hose

#### Upon Request:

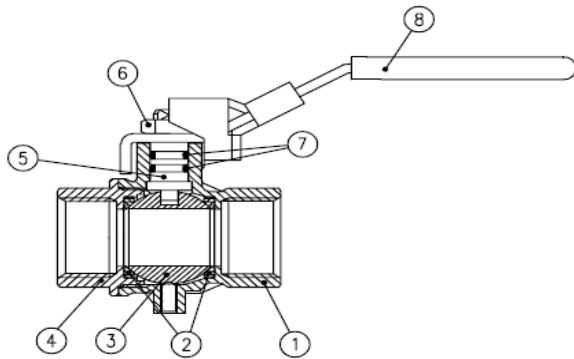
- AISI 316 stainless steel ball
- Custom Design
- T-handle



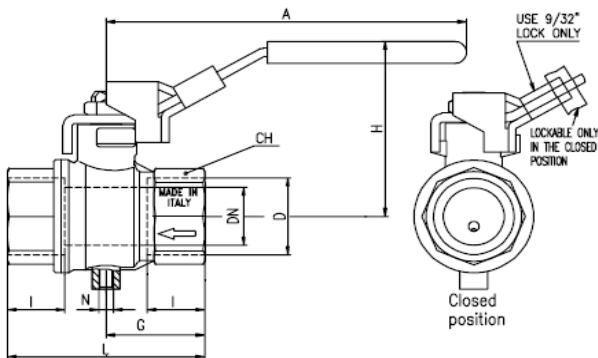
**Approved by or in compliance with:**

- GOST-R (Russia)
- Hygiene and epidemic center in Moscow city (Russia)
- RoHS Compliant
- Osha Compliant
- EAC - Declaration of conformity (Russia-Kazakhstan-Belarus)

**NOTE:** Approvals apply to specific configurations/sizes only.

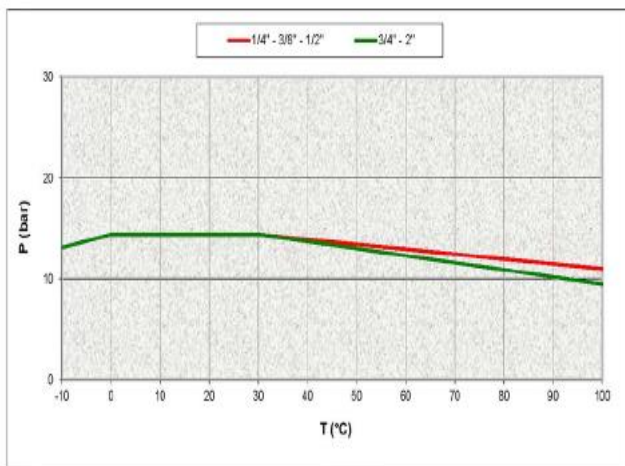


| Part Description                                      | Q.ty | Material               |
|---|------|------------------------|
| 1 Nickel plated body (external treatment)             | 1    | CW617N                 |
| 2 Seat  | 2    | PTFE molybdenum filled |
| 3 Chrome plated ball                                  | 1    | CW617N                 |
| 4 Nickel plated end cap (external treatment)          | 1    | CW617N                 |
| 5 Nickel plated stem O-Ring design                    | 1    | CW617N                 |
| 6 Geomet® nut   | 1    | CB4FF                  |
| 7 O-Ring  | 2    | FPM                    |
| 8 Light blue PVC coated Geomet® steel lockable handle | 1    | DD11                   |



| Code     | S93B00 | S93C00 | S93D00 | S93E00 | S93F00 | S93G00 | S93H00 | S93I00 |
|----------|--------|--------|--------|--------|--------|--------|--------|--------|
| D (inch) | 1/4    | 3/8    | 1/2    | 3/4    | 1      | 1 1/4  | 1 1/2  | 2      |
| DN (mm)  | 8      | 10     | 15     | 20     | 25     | 32     | 40     | 50     |
| I (mm)   | 12     | 12     | 15.5   | 17     | 21     | 23     | 23     | 26.5   |
| L (mm)   | 45     | 45     | 59     | 64     | 81     | 93     | 102    | 121    |
| G (mm)   | 22.5   | 22.5   | 29.5   | 32     | 40.5   | 46.5   | 51     | 60.5   |
| A (mm)   | 96     | 96     | 96     | 117    | 117    | 156.5  | 156.5  | 156.5  |
| H (mm)   | 46     | 46     | 51     | 59     | 63     | 77     | 83     | 90     |
| CH (mm)  | 20     | 20     | 25     | 31     | 40     | 49     | 54     | 68.5   |
| N        | M5     |        |        | G 1/4" |        |        |        |        |

**Pressure-Temperature Chart**



**Pressure Drop Chart**

