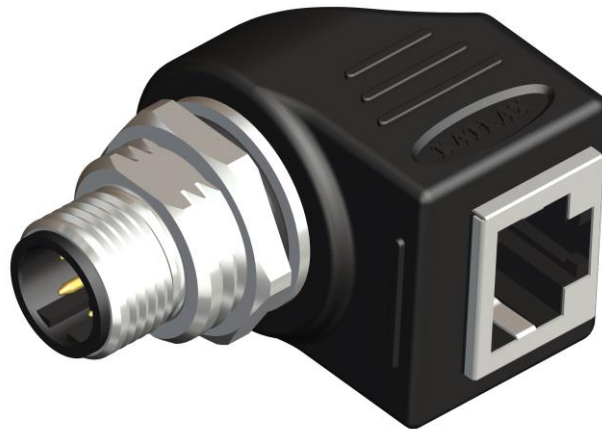


Datasheet

RS PRO M12 Male RA – RJ45 Adapter

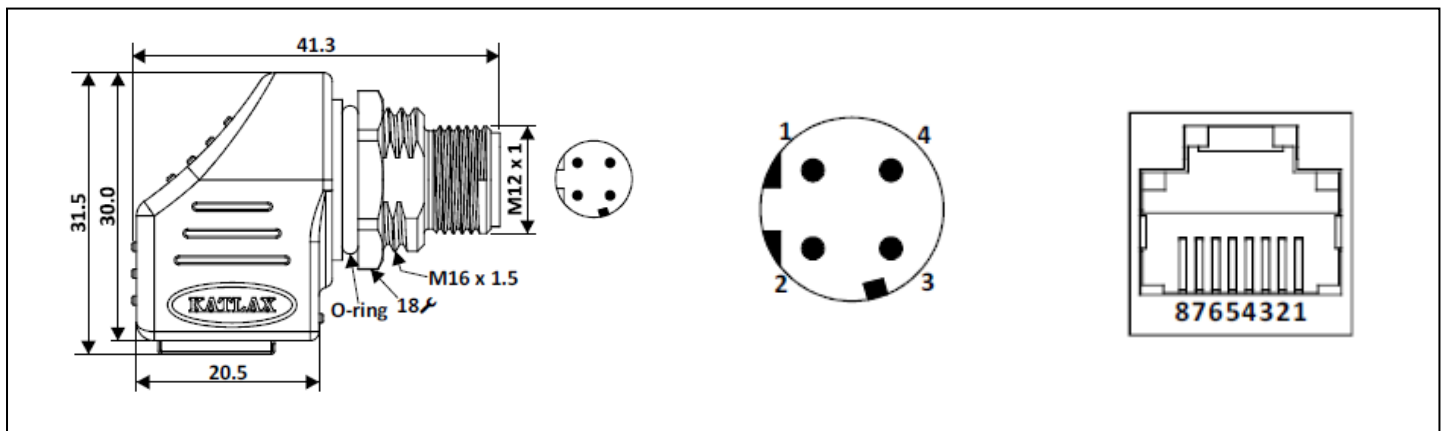
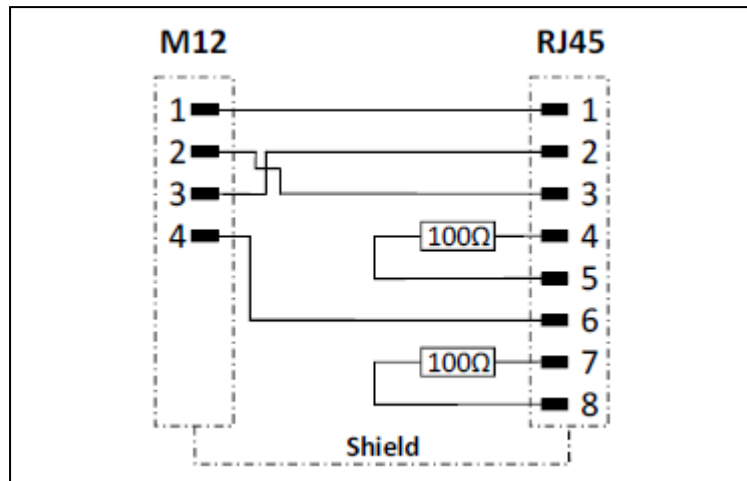
Part No: 2017085, 2017170, 2017169, 2017168, 2017166



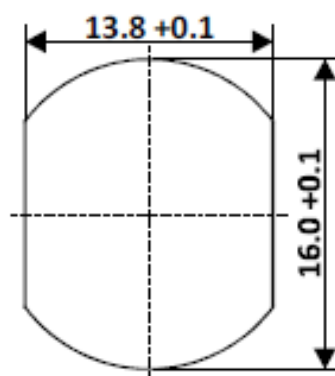
Technical Specifications:

Rated Operational Voltage	120 V AC	
Current Rating	1.5 A	
Insulation Resistance	≤100 MΩ	
Temperature Range	0° ... +70°C	
Coding	D-Coded	
Degree of Protection	M12 = IP67 / RJ45 = IP20	
	M12	RJ45
Grip Material	PU	PBT
Contact	Cu-Zn	Copper Alloy
Contact Plating	Gold Flash	Gold Flash
Contact Carrier	Nylon 66	
O-ring	Neoprene	
Coupling Nut	Brass Nickel-Plated	

Wiring Diagram:



Recommended Panel Cut-out:



Quality Standard: IEC 61076-2-101



Type Approved
Safety
Regular Production
Surveillance



www.tuv.com
ID 1111210483

