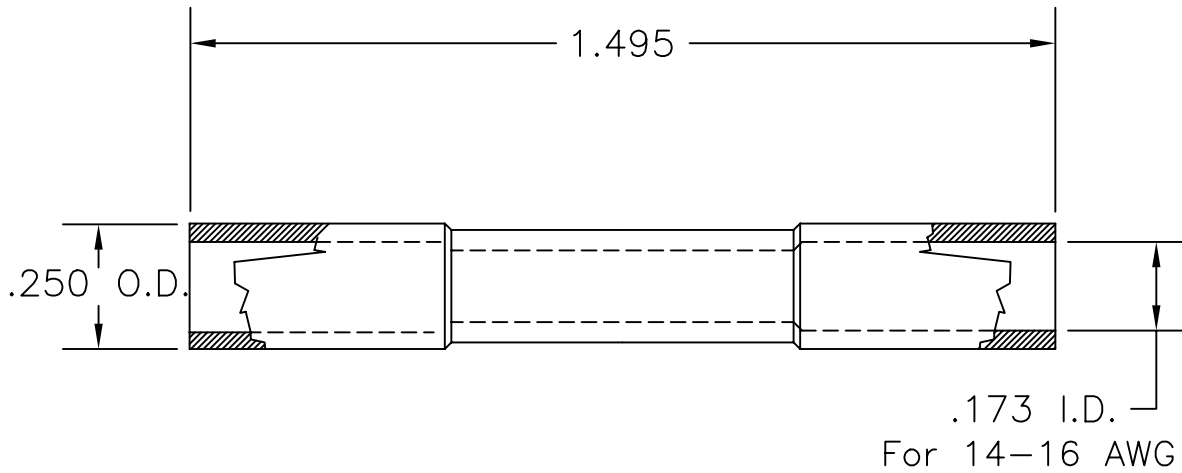


© COPYRIGHT 1997 BY SPC TECHNOLOGY. ALL RIGHTS RESERVED. NO PORTION OF THIS PUBLICATION, WHETHER IN WHOLE OR IN PART CAN BE REPRODUCED WITHOUT THE EXPRESS WRITTEN CONSENT OF SPC TECHNOLOGY.

REVISIONS			DOC. NO. SPC-F004, Total Pages: 2 Effective: 7/15/97. DCP No: 229 Supersedes DCP No: 103						
DCP #	REV	DESCRIPTION	DRAWN	DATE	CHECKD	DATE	APPRVD	DATE	
136	A	Released	J.W.M.	12/22/97	J.C.	1/12/98	B.B.	1/12/98	



NOTES:

Terminal:

1. Material: Copper
2. Finish: Electro-Tin Plate
3. Seamless

Tubing:

1. Multiple wall Polyolefin
2. Meltable, integral inner wall
3. 275°F [135°C] shrink temp.
4. -67°F [-55°C] to 230°F [110°C] continuous operating temp.
5. Tensile Strength: 2200 PSI
6. Ultimate Elongation: 500%
7. Secant Modulus, 2%: 27000 PSI
8. Specific Gravity: 1.00 Max.
9. Longitudinal Change: 5%
10. Dielectric strength: 1000V/Mil
11. Volume Resistivity: $10^{15} \Omega/\text{cm}$
12. Non-corrosive
13. Water Absorption: <0.1%
14. Tubing Color: Blue

SPC-F004.DWG

DISCLAIMER:
ALL STATEMENTS AND TECHNICAL INFORMATION CONTAINED HEREIN ARE BASED UPON INFORMATION AND/OR TESTS WE BELIEVE TO BE ACCURATE AND RELIABLE. SINCE CONDITIONS OF USE ARE BEYOND OUR CONTROL, THE USER SHALL DETERMINE THE SUITABILITY OF THE PRODUCT FOR THE INTENDED USE AND ASSUME ALL RISK AND LIABILITY WHATSOEVER IN CONNECTION THEREWITH.



SPC TECHNOLOGY

<i>Unless Otherwise Specified: Dimensions are shown for reference only!</i>	DRAWN BY:	DATE:	DRAWING TITLE:			
	Jeff McVicker	12/22/97	Butt Connector			
	CHECKED BY:	DATE:	SIZE	DWG. NO.	ELECTRONIC FILE	REV
	JOHN COLE	1/12/98	A	1681	92N3602.dwg	A
APPROVED BY:	DATE:	SCALE: NTS		U.O.M.: INCHES [mm]		SHEET: 1 OF 1
BRETT BRAATZ	1/12/98					