

APPROVED SOURCE FOR CABLE

1. BAO HING(SHENZHEN).
2. TA HSING(SHENZHEN).

NOTE :

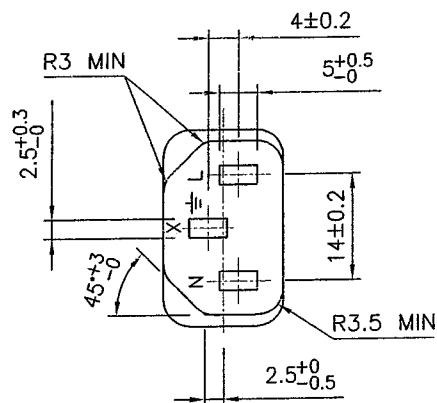
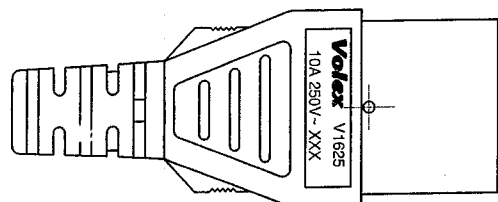
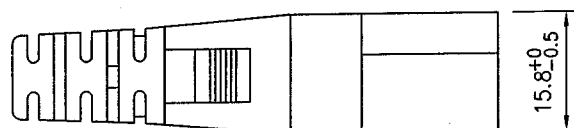
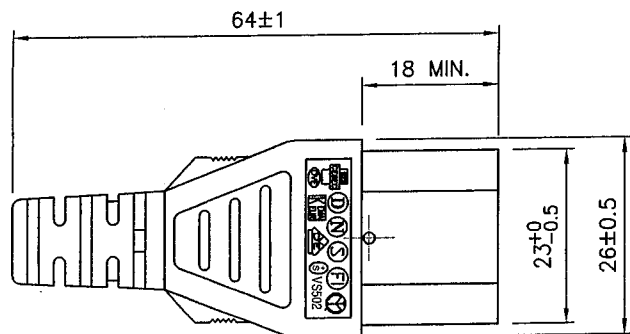
1. ALL DIMENSIONS IN mm.
2. THE CORD SHALL COMPLY WITH EN 50525-2-11.
3. THE MOLDED PLUG SHALL COMPLY WITH VARIOUS EUROPEAN COUNTRIES' CONFIGURATION (NATIONAL STANDARD) AND TESTED TO IEC 60884-1.
4. THE MOLDED CONNECTOR SHALL COMPLY WITH IEC 60320-1 OR EN 60320-1.
5. LABEL DETAILS : REFER TO LABEL DRAWING NO. : VL-0538.
6. THIS PART CAN BE MANUFACTURED AT ANY LOCATION WHICH HAS SAFETY APPROVAL.

8	LABEL PP WARNING 50X20MM	6102941	1
7	PRINTED LABEL	VL-0538	1
6	BAG PE 150X300X0.05	904076	1
5	8" PE TIE BLK	6310062	1
4	IP60G NL7976B BLK	4100115	-
	MOLDED DUO-CORD (10A 250V)	DUO-CORD	1
3	IP60G NL7976B BLK	4100115	-
	MOLDED CONNECTOR V1625 (10A 250V)	V1625	2
2	IP60G NL7976B BLK	4100115	-
	MOLDED PLUG M2511A (16A 250V)	M2511A	1
1	H05W-F 3X1.00 BLK PVC LEAD FREE	1210365	3
S/N	DESCRIPTION	ITEM NUMBER	QTY

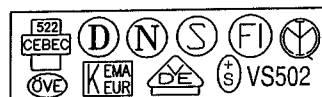
TITLE :		EUROPEAN POWER SUPPLY CORDSET (PB FR)		SCALE : N.T.S.
CUSTOMER :		VPE/RS COMPONENTS		PAGE : 1/1
CUSTOMER PART NUMBER :		8188903		ISSUE 003
Reference Number :		144310/2 (HG07-169-14)		

SALES :	QA :	ENGRG :	CHECKED BY :	DRAWN BY :
			<i>hony</i>	CARRY HOU
Date :	Date :	Date :	Date :	Date :
		30/7/14	30/07/14	28/07/14

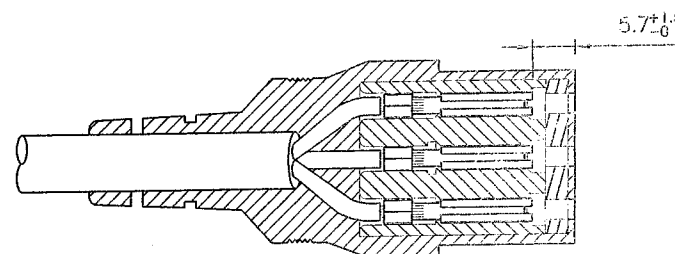
Confidential property of Voletex. Information contained herein shall not be disclosed to others, reproduced or used for any other purposes except as authorized in writing by an authorized official of voletex asie.



Volex V1625
10A 250V~XXX



MARKING DETAILS



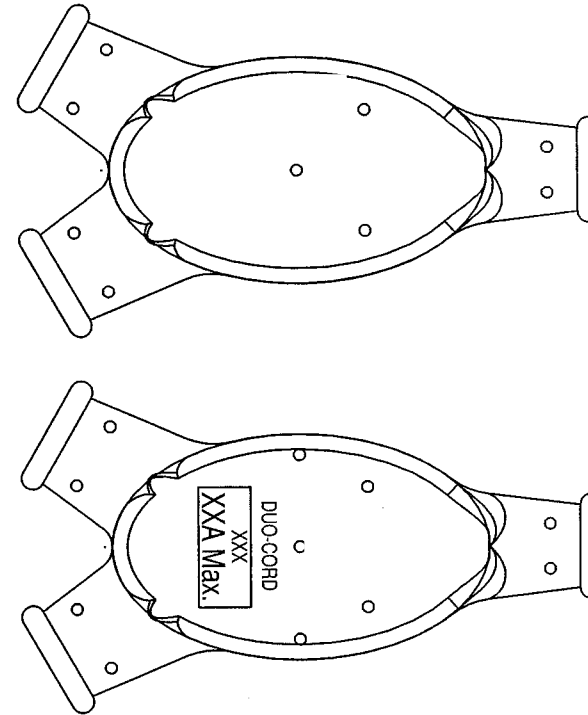
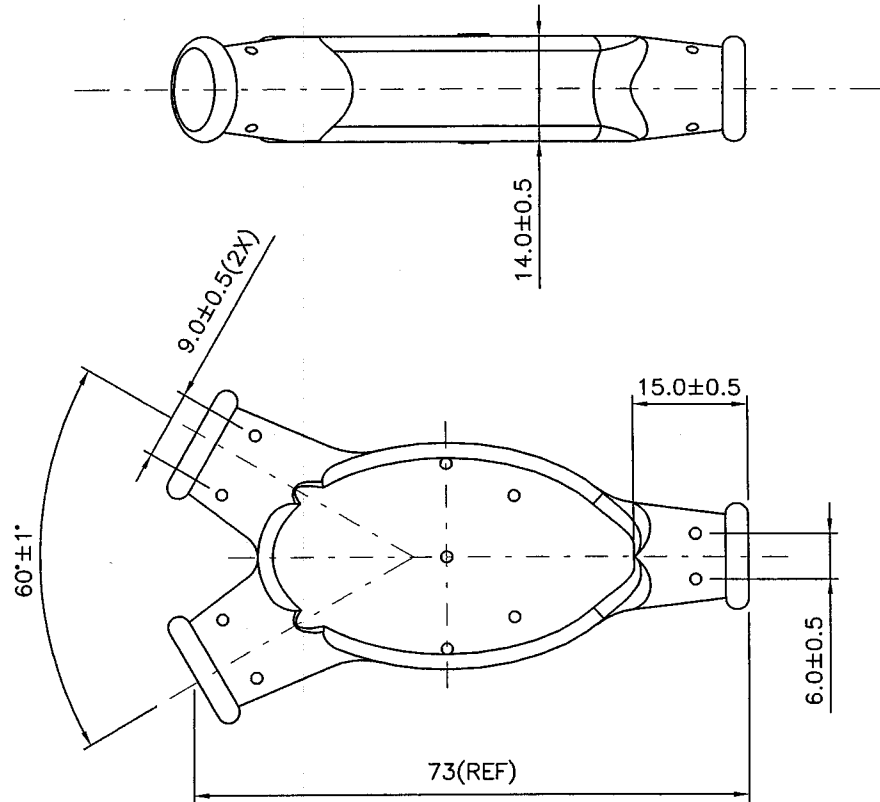
REV.	DESCRIPTION	DATE
	UPDATE FORMAT AS SHOWN.	
J	REMOVE THE CLOSED FACTORY FM. MANU. LOC. MARK.	02/11/06
K	REMOVE THE CLOSED FACTORY FROM MANU. LOCATION MARK.	23/07/09

NOTES :

- 1.) ALL DIMENSIONS IN mm.
- 2.) X - CAVITY NO. (OPTIONAL)
- 3.) XXX - MANUFACTURING LOCATION

HG	HENG GANG (CHINA)	X	DRAWN	QIAN SM	23/07/09	FILE NAME :	TITLE : MOLDED CONNECTOR V1625 Volex (Asia) Pte Ltd <small>Confidential property of Volex. Information contained herein shall not be disclosed to others. reproduced or used for any other purposes except as authorized in writing by an authorized official of vorex asia.</small>	
SM1	ZHONGSHAN (CHINA)	X	CHECK	hongh	27/07/09	A CONN/EURO/ GENERAL/V1625- EUROPEAN		
VH	HANOI (VIETNAM)	X	APPR	mb	30/7/9	N.T.S.		
B	BATAM (INDONESIA)	X	REV.	K	SCALE			
VC	CHENNAI (INDIA)	X	REFERENCE :				EUROPEAN APPROVAL	
MANUFACTURE LOCATION MARK ('X' IS APPLICABLE ONLY)								

REV.	DESCRIPTION	DATE
	REMOVE THE CLOSED FACTORY FM. MANU. LOCATION MARK.	
F	UPDATE THE DIM. AS SHOWN.	27/07/09
G	ADD IN MANU. LOCATION MARK 'SMI'.	26/02/10



MARKING DETAILS :

NOTES :

- 1.) ALL DIMENSIONS IN mm
- 2.) XXA MAX. - CURRENT RATING. (REFER TO TABLE)
- 3.) XXX - MANUFACTURING LOCATION.

TABLE :

CURRENT (XXA MAX.)	7A	10A	13A
		✓	

HG	HENG GANG (CHINA)	X	DRAWN	HONGYAN	26/02/10	FILE NAME :	TITLE :	
SM1/SMI	ZHONGSHAN (CHINA)	X	CHECK	<i>hongyan</i>	<i>02/03/10</i>	A-PLUG/ NON-APPROVAL/ GENERAL/DUO-CORD	DUO-CORD	
VH	HANOI (VIETNAM)	X	APPR	<i>weta</i>	<i>2/3/10</i>			
B	BATAM (INDONESIA)	X	REV.	G	SCALE	N.T.S.		
VC	CHENNAI (INDIA)	X	REFERENCE :					
MANUFACTURE LOCATION MARK (' X ' IS APPLICABLE ONLY)			NON APPROVAL					
							Confidential property of Voilex. Information contained herein shall not be disclosed to others, reproduced or used for any other purposes except as authorized in writing by an authorized official of voilex asia.	